



PROTECTIVE COATINGS



Company history

It all started with spray nozzles, which precision mechanic Wilhelm Wagner manufactured in the 1940s. Today – 70 years after it was established – WIWA Wilhelm Wagner GmbH & Co. KG supplies first class coating systems, spray painting equipment, injection and fluid handling systems around the world.

1950	Company founded in Lahnau, WIWA develops and makes oil pumps and lubrication guns.
1967	The first Airless spray painting units are sold.
1970	New products – AIRLESS 10.000, AirCombi units, zinc silicate spraying units, feed pumps, airless spray painting guns – are added to the product range. Company expands: New building is opened on Gewerbestrasse in Lahnau-Waldgirmes.
1975	Founder's daughter Heidrun Wagner-Turczak takes the commercial helm of the company and Günter Leinweber takes over as Chief Technical Officer.
1980	Expansion of fluids handling technology product range and market launch of WIWA extrusion pumps and hot-spraying systems.
1992	WIWA JUMBO launched on the market – the world's largest airless unit.
1994	WIWA plural component technology opens up a promising, new market segment with the launch of the DUOMIX range.
1996	Certification of quality management according to DIN ISO 9001.
2000	WIWA LP is established in Tucker, Georgia, USA.
2004	Unveiling of 1K (single-component) and 2K PFP units for fire-protection coatings. WIWA is awarded ATEX certification.
2005	WIWA launches electronic plural component technology with the FLEXIMIX 1 and FLEXIMIX 2.
2007	Relocation of WIWA factory in Leun-Stockhausen to new building at HQ Lahnau.
2009	Unveiling of newly developed range of polyurea application units.
2014	WIWA DUOMIX 333 PFP certified for use on offshore platforms. New generation of airless units, the HERKULES GX SERIES.
2015	Modernization of the DUOMIX range with the launch of the DUOMIX 270.
2016	Introduction of the new generation single feed units HERKULES 270 and 333 GX and of the DATALOGGER.
2017	The 3rd generation takes over the management. Peter Turczak succeeds his mother Heidrun Wagner-Turczak.
2018	Launch of the new generation single feed units PHOENIX GX and PROFESSIONAL GX.
2021	DUOMIX 230 MINI as new 2K entry-level machine. Brand relaunch and realignment to the market segments Protective Coatings, Extrusion/Material Handling and Injection/Building Protection.
2022	Relocation of the 2K special construction to new company building in Aßlar, Germany. With the HYDRO PX series, compressed air independent units complete the WIWA product portfolio. Purely electrically operated follows the WIWA ELAN.



Dear customers and prospects,

Coatings can perform various functions for surfaces they are applied upon. From forming a protective layer to providing a decorative finish, they reimagine the surface's face and characteristics. Protection from weathering, defense against mechanical stress and even performance as a flame and fire retardant are all possible functions coatings can provide as they maintain the value of the coated object. WIWA equipment and systems provide the perfect finish you are looking for.

70 years of expertise in applying paint, varnish, stain and industrial coatings are proof of the quality and professionalism that goes into our products, giving peace of mind even under the most difficult application conditions.

Our WIWA equipment and systems are completely manufactured, designed, built and tested at our site in Lahnau, in the heart of Germany. We offer highly complex, automated systems and easy-to-operate equipment for efficient and trouble-free operation.

In the following you will find our large selection of pump technology and accessories. Contact us – we will find the solution for your application and your material.

Kind regards on behalf of our entire team



Peter Turczak
General Manager

Made in Germany – Made by WIWA!



RELIABILITY AND PRECISION FOR MORE THAN 70 YEARS

WIWA Wilhelm Wagner GmbH & Co. KG is one of the world's leading developers and producers in the fields of 1- and multi-component airless paint spraying equipment, material conveying, extrusion and injection systems.

The application spectrum of our equipment and systems ranges from painting and bonding in mechanical and vehicle engineering to large-area and thick-film coatings in the marine and offshore industries, in building and corrosion protection, and in passive fire protection.

Under the highest quality standards WIWA manufactures at its founding site in Lahnu, Germany, equipment and systems for the most diverse requirements.

WIWA technology proves itself in decorative and protective surface coating, surface sealing in tunnel and canal construction,

or the application of highly viscous, paste-like 2K and 3K materials on steel and concrete. The family-owned company develops, produces and sells its products in Germany. It also sells through a company-owned subsidiary in the USA and through highly experienced distributors in all parts of the world. In close cooperation with these international experts, WIWA develops and implements industry-leading special solutions.

By adapting the work processes to the strict requirements of DIN EN ISO 9001:2008 as well as the introduction of a quality management system, WIWA offers national and international customers even more transparency and investment security. WIWA holds the corresponding certifications of TÜV Rheinland and Bureau Veritas. German workmanship describes in our company the consequent highest quality and innovative solutions.

The fact that our global customers despite growing cost pressure and on „Made in Germany – Made by WIWA“ is based not least on the clear commitment to our home location in Lahnu and our more than 135 qualified employees.

It is not always recognizable technical factors that pay off for our customers day after day. Direct contact with each individual WIWA employee, often with many years of experience and competence, creates trust. Use the potential of all specialist departments of our company from design to production to final assembly, the shipping department and our service team clearly for one big goal: Your daily success!



How much „Made in Germany“ is actually still in a WIWA system?

Quite clear: almost 100%

Your project deserves the best systems.

WIWA offers you durable paint spraying systems in best quality – Made in Germany.

We develop our 1K and multi-component systems with uncompromising quality standards. Only high-quality materials and durable components are installed in all WIWA products. So that they work as trouble-free as possible and achieve perfect results.

This brochure presents you with a comprehensive overview of WIWA solutions for protective coatings.

1K SOLUTIONS

from Page 8

2K SOLUTIONS

from Page 46

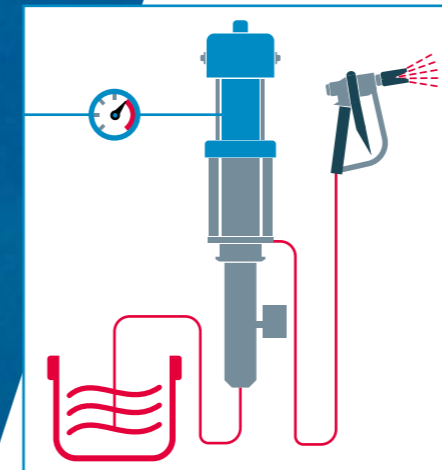
2K FOAM/PU SOLUTIONS

from Page 74

ACCESSORIES

from Page 84

Overview of Spraying Methods



AIRLESS

High pressure

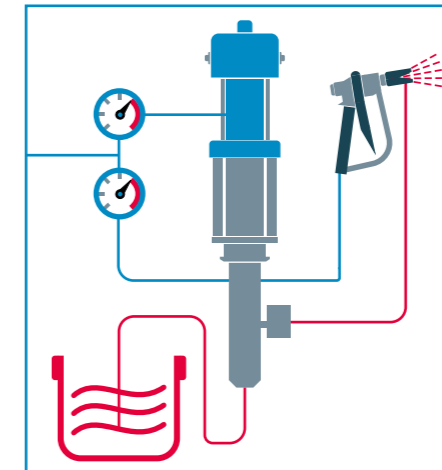
Economical, environmentally friendly spraying method with excellent surface area coverage at high pressures.

The high pressure pump draws the spraying agent from any desired container and transfers it to the spray gun under high pressure via a high pressure hose.

Fine, airless atomisation is achieved through a specially designed spray nozzle. The spray jet is directed onto the material at high speed, thereby providing an optimal finish.

The benefits at a glance:

- Effective painting and coating of large surfaces
- Higher coating thickness in just one pass
- Saves materials and solvent
- Closed, uniform spray pattern
- Better use of energy due to minimal air consumption
- Environmental friendly as no spray mist when correctly configured



AIR COMBI

Air-assisted painting

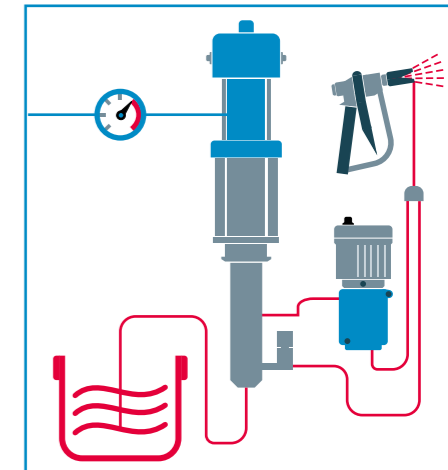
The Air Combi combines the advantages of Airless and conventional spraying techniques.

Using this painting method, the spraying agent is transferred to the spray gun under moderate pressure and pre-atomised. The fine spray distribution is achieved by applying regulated compressed air as the paint is discharged. A soft, controllable spray jet is produced with minimum paint mist.

Ideal for highly refined painting tasks on large surface areas as well as for angular components and shaped or small workpieces.

The benefits at a glance:

- The finest atomisation generates first class finishes
- High material savings
- Soft, controllable spray pattern
- Low operating costs due to minimal air consumption
- Low pump wear due to low material pressure
- Environmentally friendly due to minimal overspray



HOT SPRAYING SYSTEMS

WIWA Hot Job systems for high film builds, short drying times, highest surface quality and extremely viscous coating materials.

During the hot spray process, the material is heated to the desired spraying temperature using the WIWA material flow heater.

This eliminates the need to use solvents to lower the viscosity.

An adjustable circulation system maintains a constant material temperature providing even coating and high finish quality.

The benefits at a glance:

- Highly viscous materials can be effortlessly processed
- High film builds
- Short drying periods
- Excellent surface coverage
- Glossier surfaces due to improved paint dispersion
- Environmentally and user friendly as no solvents are required



Existing Airless spraying units can be converted into the Air Combi system.



WIWA 1K SOLUTIONS

Choose from 4 drive types: pneumatic, hydraulic, hybrid or electric. Our WIWA 1K portfolio leaves nothing to be desired:

WIWA Profit	Page 12
WIWA Effective	Page 18
WIWA Phoenix GX	Page 20
WIWA Professional Classic	Page 24
WIWA Professional GX	Page 28
WIWA Herkules GX	Page 30
WIWA Herkules GX PFP	Page 32
WIWA Herkules HX	Page 34
WIWA Hydro PX Series	Page 36
WIWA ELAN M	Page 40
WIWA Thick-Film/Mortar Pump	Page 42
WIWA Coating unit for foundry black wash	Page 44



Page 12



Page 20



Page 28



Page 34



Page 40



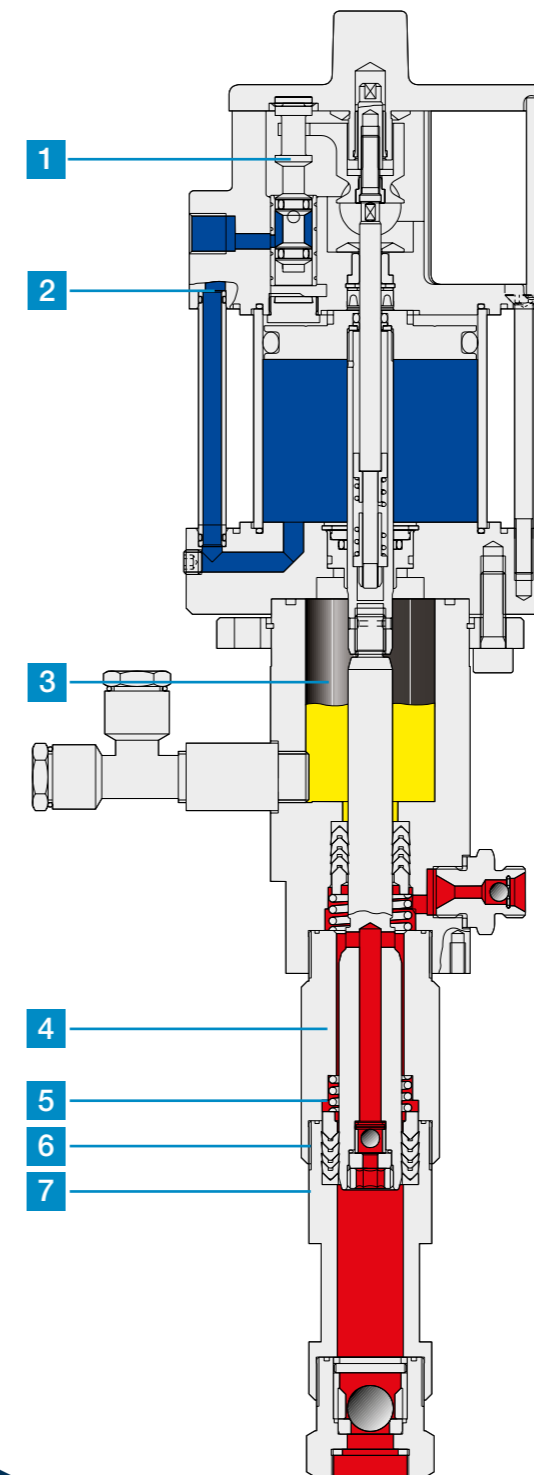
Compact · High-quality · Strong

The WIWA PROFIT series is a versatile and high quality pump program pump program for almost all fields of application.

Carefully selected, premium quality materials create high durability and reduce the wear and tear of all parts that come into contact with the fluid. Minimal repair costs and downtime create satisfied customers all over the world. Robust, reliable and versatile WIWA technology to your benefit.

THE ADVANTAGES:

- Portable for flexible use anywhere.
- Pulsation is barely noticeable thanks to the high stroke changeover speed.
- Spring supported, self adjusting packings reduce wear and tear.
- Quicker and simpler maintenance and assembly thanks to direct threading and wrench flats.



DESIGN FEATURES PROFIT

Air motor

- 1 Pulsation is barely noticeable thanks to the high stroke changeover speed.
- 2 Low number of components make the motor easy to assemble and disassemble.

Lubrication chamber

- 3 A closed lubrication chamber separates the air motor and the material pump. The closed design prevents foreign objects such as blasting material from entering the pump system from the outside. The lubricant also prevents paint from drying onto the piston rod and protects the packings.

Material pump

Less pressure loss even with highly viscous materials due to large bores and voluminous material passages in the bottom valve.

- 4 Precision guides ensure simple and exact alignment of components and thus less wear and tear.
- 5 Better flushing due to short packing retention springs and large fluid passages.
- 6 Sealing rings located in front of the threads prevent the threads from sticking and make disassembly easier.
- 7 Pump components are quick to assemble and disassemble as they are simply screwed together.

WIWA PROFIT Unique versatile

The powerful products of the WIWA PROFIT series are ideally suited for flexible use in trade and industry due to their compact design.

Since each model is offered in both airless and air-combi versions, the right technology can be found for almost any application. Hard-chrome plated double pistons, carbide valve plates and valve balls made of stainless steel as well as a double filter system consisting of suction and high-pressure filters ensure above-average service life and trouble-free operation.

The reinforced housing and a new sealing system ensure high safety during daily work.



Robust airless sprayers for efficient painting

Portable paint spraying equipment for flexible use

For the finest paint jobs using the environmentally friendly AirCombi painting process

We recommend PROFIT-Model	Airless paint spraying units				Air-Combi finishing units					
	3022	3033	4222	4233	3010	3022	3033	4210	4222	4233
Max. output (l/min)	3,0	3,0	4,2	4,2	3,0	3,0	3,0	4,2	4,2	4,2
Pressure ratio	22:1	33:1	22:1	33:1	10:1	22:1	33:1	10:1	22:1	33:1
Pump capacity per double stroke (cm ³)	14	14	27	27	14	14	14	27	27	27
Areas of application										
Carpentry shops	●	●	●	●	●	●	●	●	●	●
Furniture industry	○	○	●	●	○	○	○	○	○	●
Paint and finishing shops	-	-	○	○	-	-	-	○	○	●
Machine/automotive construction	-	-	-	○	-	-	-	○	○	○
Material										
Oils and grease	○	●	○	●	○	●	●	○	●	●
Thick-coat varnishes	-	●	-	●	●	●	●	●	●	●
Primers	○	●	●	●	●	●	●	●	●	●
Sprayable spackle	-	○	-	○	-	-	-	-	-	-
Sprayable paints and varnishes	●	●	●	●	●	●	●	●	●	●
Two-component materials	○	○	○	○	-	○	○	-	○	○
Textured lacquers	-	●	-	●	●	●	●	●	●	●
Hammered effect lacquers	-	●	○	●	●	●	●	●	●	●
Water soluble materials	○	●	○	●	●	●	●	●	●	●
Water based paints	○	○	○	●	●	●	●	●	●	●

● Very suitable ○ Suitable - Unsuitable

Existing Airless spraying units can be converted into Air-Combi systems.



All PROFIT units are fitted with a high pressure filter as standard



Double compressed air regulator for spray pressure and atomiser air (Air Combi)

Technical Data												
Model	3010		3022		3033		4210		4222		4233	
Max. output (l/min)	3,0		3,0		3,0		4,2		4,2 l		4,2	
Pressure ratio	10:1		22:1		33:1		10:1		22:1		33:1	
Output per cycle (cm ³)	14		14		14		27		27		27	
Max. air inlet pressure (bar/psi)	8/116		8/116		8/116		8/116		8/116		8/116	
Max. operating pressure (bar/psi)	80/1160		176/2552		264/3829		80/1160		176/2552		264/3829	
Piston diameter of the air motor (mm)	50		70		85		50		70		85	
Piston stroke of the air motor (mm)	42		42		42		75		75		75	
Version	N	RS	N	RS	N	RS	N	RS	N	RS	N	RS
PROFIT Airless spraying unit ^{1,2}												
With container ⁵	0644260	0644261	0644270	0644271	0644280	0644281	0644290	0644291	0644300	0644301	0644310	0644311
On tripod	0644262	0644263	0644272	0644273	0644282	0644283	0644292	0644293	0644302	0644303	0644312	0644313
On chassis	0644264	0644265	0644274	0644275	0644284	0644285	0644294	0644295	0644304	0644305	0644314	0644315
With feed funnel	0644266	0644267	0644276	0644277	0644286	0644287	0644296	0644297	0644306	0644307	0644316	0644317
On wall bracket	0644268	0644269	0644278	0644279	0644288	0644289	0644298	0644299	0644308	0644309	0644318	0644319
On elevator	-	-	-	-	-	-	-	-	-	-	-	0664668
PROFIT Air-Combi finishing systems ^{3,4}												
With container ⁵	0644320	0644321	0644330	0644331	0644340	0644341	0644350	0644351	0644360	0644361	0644370	0644371
On tripod	0644322	0644323	0644332	0644333	0644342	0644343	0644352	0644353	0644362	0644363	0644372	0644373
On chassis	0644324	0644325	0644334	0644335	0644344	0644345	0644354	0644355	0644364	0644365	0644374	0644375
With feed funnel	0644326	0644327	0644336	0644337	0644346	0644347	0644356	0644357	0644366	0644367	0644376	0644377
On wall bracket	0644328	0644329	0644338	0644339	0644348	0644349	0644358	0644359	0644368	0644369	0644378	0644379

DESIGN FEATURES OF THE PROFIT SERIES



With container



On tripod



On chassis



With feed funnel



On wall bracket

... or WIWA PROFIT on elevator

¹ Spray accessory kit no. 01 N + R

Order No. 0621625 comprising:

- WIWA 250 D Airless spray gun (with swivel joint)
- NW6 material hose (1/4"), 410 bar, 7.5 m
- Standard nozzle 40° – 0.33 mm

² Spray accessory kit no. 10 RS

Order No. 0629957 comprising:

- WIWA 500 F Airless spray gun (with swivel joint)
- (RS) NW6 material hose (1/4"), 410 bar, 7.5 m
- Standard nozzle 65° – 0.33 mm

³ WIWA AC 1800 spray gun

Order-No. 0671798, 0671832, 0671833
Nozzle included.

⁴ WIWA PROFIT Air Combi

All Air Combi paint spraying units come with an NW6 air and material hose.

⁵ WIWA PROFIT Container

The container designs are only available in N = normal steel version and R = stainless steel versions.

WIWA EFFECTIVE

FOR TRADE AND INDUSTRY

- Designed for easy operation
- All control elements are located on the front panel for fast and easy access
- Integrated hose rack
- Consistent spray pressure provides an excellent spray pattern
- Rugged design with few wear parts, designed for easy maintenance
- All wetted parts are made of stainless steel



Technical Data	On Tripod	On Chassis		On Wall bracket	
	DAS	DAS	with funnel	ASL	DAS
Output per cycle (cm ³)	27	27	27	27	27
Pressure ratio	33:1	33:1	33:1	33:1	33:1
Max. air inlet pressure (bar/psi)	8	8	8	8	8
Max. operating pressure (bar/psi)	264	264	264	264	264
Piston diameter of the air motor (mm)	85	85	85	85	85
Piston stroke of the air motor (mm)	75	75	75	75	75
Order No.	0666441	0659810	0660089	0660090	0666442

AREAS OF APPLICATION

- Furniture industry
- Carpentry shops
- Paint- and finishing shops
- Machine and automotive industry



Controls on the front panel



Minimalistic design

Optimum spraying results due to low pressure fluctuations

Robust unit with few wearing parts and simple assembly and disassembly



RS = stainless steel, rust and acid resistant
DAS = Direct suction ASL = Suction line

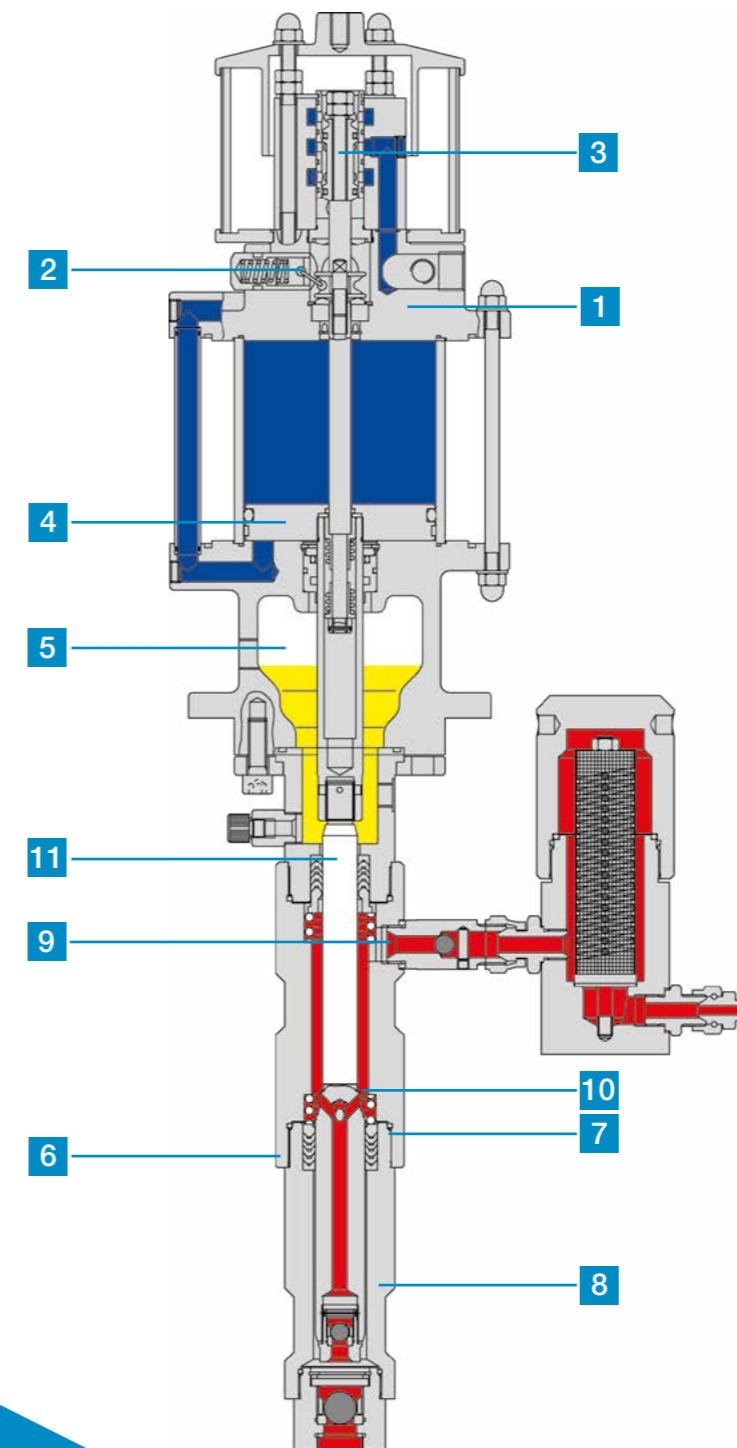
Enduring Reliable Robust

Our next larger 1K units are equipped with the high-quality pneumatic WIWA PHOENIX piston pumps.

They convince with above-average service life of all components. During daily operation, selected high-quality materials reduce wear and tear and the resulting repair costs to a minimum. The PHOENIX series is uniquely versatile thanks to its sophisticated

modular conception. If the operating conditions change, the pressure ratio and output can be easily adjusted by replacing only a few components. This avoids additional investments.

DESIGN FEATURES PHOENIX



Air motor

- 1 Easy disassembly and assembly due to few components.
- 2 The snips are highly visible and therefore easy to use.
- 3 Pulsation is barely noticeable thanks to the high stroke changeover speed.
- 4 Change of performance by changing the piston diameter of the air motor.

Lubrication chamber

- 5 A closed lubrication chamber separates the air motor and the material pump. The closed design prevents foreign objects such as blasting material from entering the pump system from the outside. The lubricant also prevents paint from drying onto the piston rod and protects the packings.

Material pump

- 6 Fast disassembly and assembly due to direct screw connection. During disassembly, the parts are automatically pulled apart.
- 7 Sealing rings located in front of the threads prevent the threads from sticking and make disassembly easier.
- 8 Less wear due to guided and therefore easy to assemble components.
- 9 Less pressure loss due to large bores and large-volume material passages.
- 10 Better flushing due to large material passages and short packing tensioners.
- 11 Change flow rate and pressure ratio by replacing piston rod and packings.

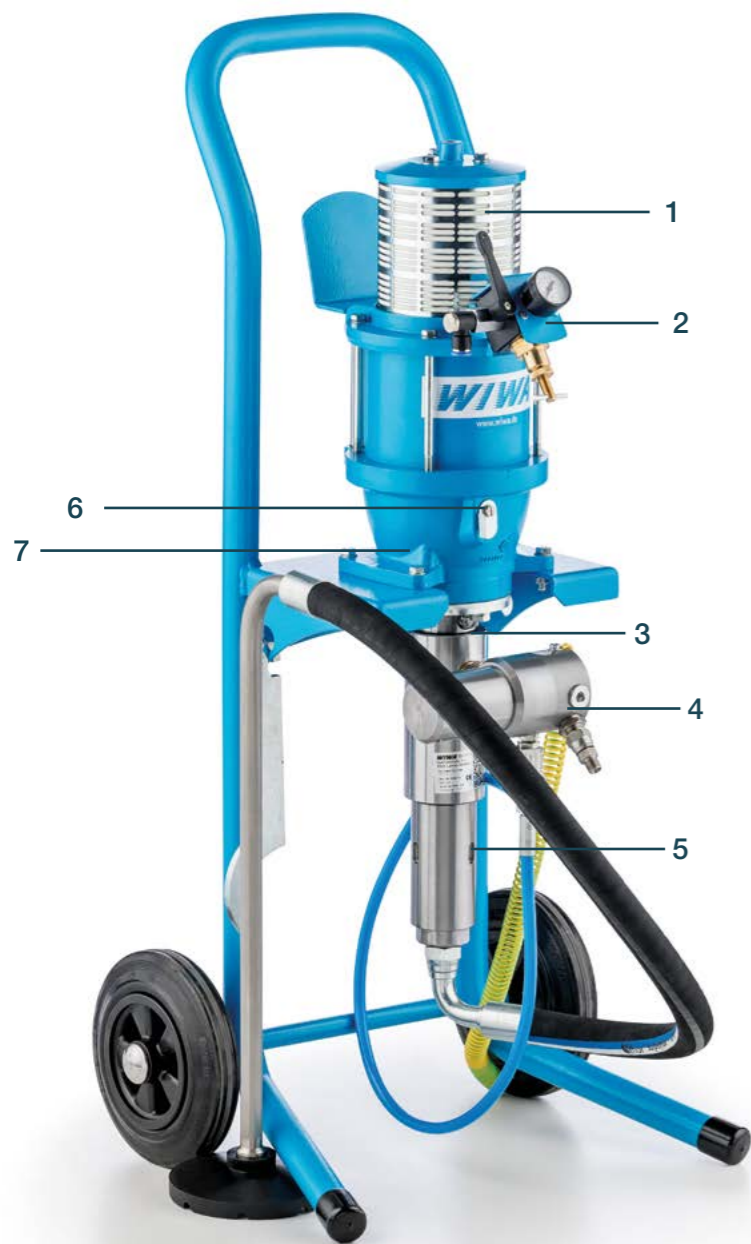
WIWA PHOENIX GX

PERFORMANCE, JUST LIKE THE BIG ONES

WIWA PHOENIX GX – the high-performance, multi-purpose pumps for painting wood and metal as well as other coatings in industry and trade.

The WIWA PHOENIX GX Series consists of a versatile and high quality pump range for almost all areas of application. Thanks to its mobility and simple operation, it is ideal for large and small surface areas. Let us convince you of its durability and economical design.

- 1 Oil-free and low-icing, technically optimized high-performance air motor
- 2 Maintenance unit in a compact design directly on the air motor
- 3 Material pump and HP filter made of stainless steel
- 4 Easy to open high pressure filter with hook spanner
- 5 Coarse threads for easy assembly and disassembly of the material pump
- 6 Throat seal liquid sight glass; the level of throat seal liquid can be easily checked
- 7 QR code for quick access to the device's technical data



Technical Data	Model 105030	Model 140053	Model 105018	Model 140032	Model 140020	Model 200042	Model 200065
Output per cycle (cm ³)	43	43	72	72	111	111	72
Pressure ratio	30:1	53:1	18:1	32:1	20:1	42:1	65:1
Max. output at 60 double strokes (l/min/gpm)	2,6/0,7	2,6/0,7	4,3/1,1	4,3/1,1	6,7/1,8	6,7/1,8	4,3/1,1
Max. air inlet pressure (bar/psi)	8/116	8/116	8/116	8/116	8/116	8/116	8/116
Max. operating pressure (bar/psi)	240/3480	424/6149	144/2088	256/3712	160/2320	336/4873	455/6599
Modell	Order No.	Order No.	Order No.	Order No.	Order No.	Order No.	Order No.
PHOENIX GX Chassis	0666589	0666591	0666590	0663944	0666592	0666559	0666593
PHOENIX GX Tripod	0667916	0667923	0667920	0667926	0667929	0667934	0667931
PHOENIX GX Wall bracket	0667919	0667925	0667922	0667927	0667930	0667935	0667933
PHOENIX GX Feed funnel	0667918	-	-	-	-	-	-

MATERIALS

- Primers
- Sprayable spackle
- Sprayable paints and varnishes
- Plural-component and tar-epoxy paints (highly viscous and coarsely pigmented)
- Textured lacquers
- Hammered effect lacquers
- Zinc dust paints
- Anti-rust and micaceous iron oxide paints
- Low-solvent and solvent-free paints
- Stains
- Water-based varnishes
- Transparent lacquers
- Thick-film varnishes

AREAS OF APPLICATION

- Carpentries
- Furniture industry
- Paint shops
- Machinery and vehicle manufacture
- Steel and hall construction
- Steel processing industry
- Automatic and manual spray painting systems
- Marine coatings (interior coatings)
- Railcar manufacture
- Fluid transfer and paint supply systems



22 On Elevator



With Feed funnel



On Tripod

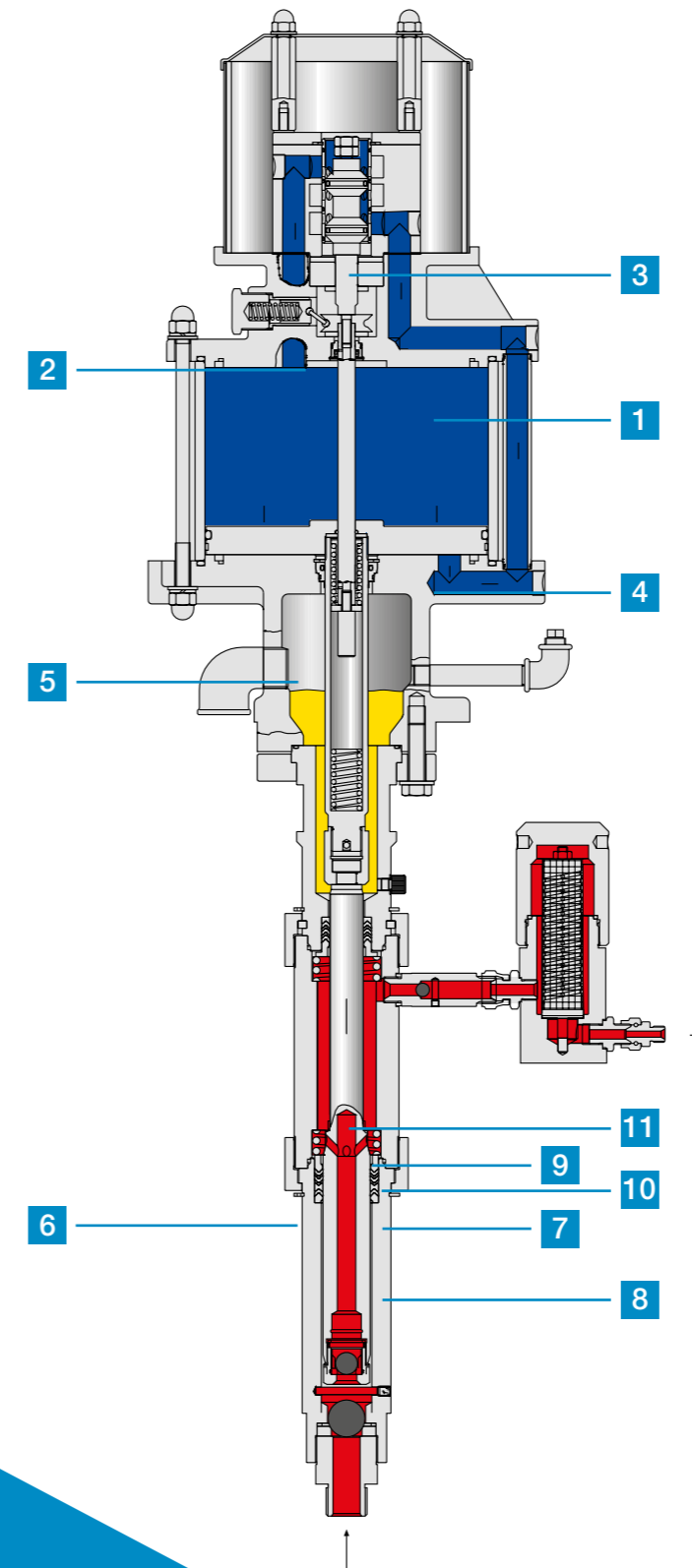
Quality Stability Enthusiasm

WIWA Airless paint spraying units from the PROFESSIONAL series particularly demonstrate their strengths during the toughest use.

This is guaranteed by their impressive, globally renowned durability. Spare parts enquiries are still received for units that are more than 20 years old, with most of these parts still being available. Could there be any better argument? The simplest solution is the best. However, the demands on items that are 'brilliantly simple' are enormous.

Original WIWA Airless paint spraying units

from the PROFESSIONAL series fulfill the high demands placed on simple solutions thanks to the years of experience of our development and production teams, carefully selected, high quality materials and our own production technology with the highest demands for perfection. Global recognition is also given to the return on investment during everyday use in the shipbuilding industry, the marine and offshore industry, the steelwork and bridge industry, pipe line construction and other areas of application of heavy-duty corrosion protection and multiple gun applications.



DESIGN FEATURES OF THE PROFESSIONAL SERIES

Air motor

- 1 The low number of components makes the motor easy to assemble and disassemble.
- 2 The toggles are clearly visible and thus easy to install.
- 3 Pulsation is barely noticeable thanks to the high stroke change-over speed.
- 4 Pressure ratio can be varied by changing the air motor piston diameter.

Lubrication chamber

A closed lubrication chamber separates the air motor and the material pump. The closed design prevents foreign objects such as blasting material from entering the pump system from the outside. The lubricant also prevents paint from drying onto the piston rod and protects the packings.

Material pump

- 6 The pump components are quick to assemble and disassemble as they are simply connected by union nuts or by being screwed together.
- 7 Sealing rings located in front of the threads prevent the threads from sticking and make disassembly easier.
- 8 Precision bushings ensure simple and exact alignment of components and thus less wear and tear.
- 9 Large openings and voluminous fluid passages reduce pressure loss.
- 10 Better flushing due to large fluid passages and short packing tension springs.
- 11 The displacement and pressure ratio can be changed by exchanging the piston rod and packings.

WIWA PROFESSIONAL CLASSIC

THE WIWA SERIES FOR HEAVY CORROSION PROTECTION.

A particularly comprehensive range of equipment. Industrial coating work of any kind can be carried out with this equipment.

Due to their high pressure ratio, the models 28064 and 24071 are particularly suitable for processing highly viscous, low-solvent and solvent-free materials with a high solids content. Optimal for longer material hoses, larger nozzle bores and high spray pressures.



Technical Data	Model 24071	Model 28064	Model 44032
Output per cycle (cm ³)	138	153	306
Pressure ratio	71:1	64:1	32:1
Max. air inlet pressure (bar/psi)	6,5/94	7/101	8/116
Max. operating pressure (bar/psi)	460/6671	450/6526	255/3698
Version	Order No.	Order No.	Order No.
On Chassis	0639061	0639063	0639313
On Elevator	0640057	0640018	0640069
On Wall bracket	0639062	0639064	0639314

MATERIALS

- Abrasive materials
- Flame retardant materials
- Glass flake
- Insulating and thick film materials
- Antifouling
- Cold bitumen
- Materials with short fiber fillers
- Low-solvent and solvent-free paints
- Sprayable paints and coatings
- Two-component and tar-epoxy paints

AREAS OF APPLICATION

- Large surfaces
- Ship painting
- Steel and hall construction
- Wagon factories
- Painting and varnishing
- Offshore industry
- Industrial painting
- Building and corrosion protection
- Insulation
- Fire protection
- Feed pump



On wall bracket



Standard high-pressure filter at pump outlet



Maintenance unit

For industrial coating work of any kind

Perfect surfaces and greater area performance

Optimal for longer material hoses, larger nozzle bores and high spray pressures

WIWA PROFESSIONAL GX



EVOLUTION OF A MASTERPIECE

Experience noticeable quality, the best engineering skills and durability under the toughest conditions.

The WIWA GX motor generation impresses with a full metal housing, optimized air distribution during service to minimize icing during continuous operation and reduced noise.

Low-maintenance, durable material pumps reduce operating costs and ensure uncompromising fluid flow. Unconditional enthusiasm perfected. This is the WIWA PROFESSIONAL GX – a masterpiece in its class.

MATERIALS

- Abrasive materials
- Flame protection
- Sprayable lacquers and paints
- Glassflake
- Insulation and thick-film material
- Anti-fouling materials
- Cold bitumen
- Short-fibre filling materials
- Low-solvent and solvent-free paints
- Plural component and tar-epoxy paints

AREAS OF APPLICATION

- Large areas
- Marine coatings
- Steel and hall construction
- Railcar manufacture
- Paint shops
- Offshore industry
- Industrial coatings
- Structural engineering and corrosion protection
- Insulation
- Fire protection
- Transfer pumps

Durable all-metal construction

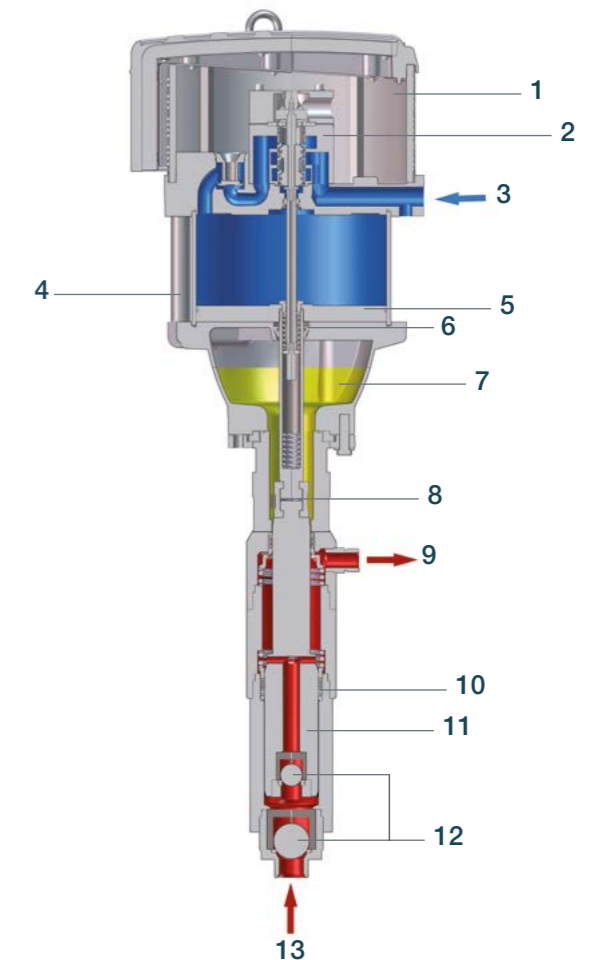
Optimized air distribution during operation to minimize icing

Reduced operating costs due to low-maintenance, long-life material pumps

Technical Data	Model 230063	Model 230051	Model 230035	Model 230027
Output per cycle (cm ³)	153	189	275	360
Pressure ratio	63:1	51:1	35:1	27:1
Max. output at 60 double strokes (l/min/gpm)	9,2 /2,4	11,3/3	16,5/4,4	21,6/5,7
Max. air inlet pressure (bar/psi)	7/101	8/116	8/116	8/116
Max. operating pressure (bar/psi)	441/6396	408/5917	280/4061	216/3132
Model	Order No.	Order No.	Order No.	Order No.
On Chassis	0664095	0664096	0664097	0664098
On Elevator	0664103	0664104	0664105	0664106
On Wall bracket	0664099	0664100	0664101	0664102

DESIGN FEATURES OF THE WIWA GX HIGH PRESSURE PUMPS

- 1 Muffler
- 2 Maintenance-free control
- 3 Air inlet
- 4 Generously sized air passages and exhaust bypass
- 5 Precision piston guiding
- 6 Nylon guide bushing
- 7 Throat seal liquid reservoir
- 8 Coupling
- 9 Material outlet
- 10 Spring-loaded packings
- 11 Hard-chromed double piston
- 12 Large valves with tungsten carbide valve seats and stainless steel valve balls
- 13 Material inlet





WIWA Herkules GX

Oil-free and with minimized icing potential, the highperformance air motors of the WIWA HERKULES GX series are technically optimized and complement WIWA airless products which range in the upper performance classes.

They are particularly suitable for large-area and thickfilm coatings with very high pressure ratios and enormous delivery rates. Even the use of several spray guns at the same time and hose lengths of over 100 meters do not pose any problems for these airless paint sprayers.

MATERIALS

- Glass flake epoxy
- Low-solvent and solvent-free paints
- Two-component materials
- Antifouling
- Materials with short fiber fillers
- Abrasive materials (zinc silicate etc.)
- Cold bitumen
- Thick-build materials
- Flame protection materials

AREAS OF APPLICATION

- Marine & offshore industry
- Steel construction
- Coating & painting lines
- Building insulation & sealing
- Railroad
- Industry
- Fire protection

Sturdy, multifunctional frame

Easy assembly and disassembly

Compact air maintenance unit integrated into the air motor



On elevator



On wall bracket



With feed funnel

Technical Data

Model	Output per cycle (cm ³ /fl oz)	Pressure ratio	Max. inlet air pressure (bar/psi)	Version	Order No. (RS)
270088	153/5,2	88:1	5,5/79	F	0662617
				H	0660706
				W	0660593
270071	189/6,4	71:1	7 /101	F	0662618
				H	0660707
				W	0660594
270049	275/9,3	49:1	8/116	FB	0663817
				F	0662619
				H	0660595
333075	275/9,3	75:1	6,5/94	W	0660708
				F	0663681
				H	0663686
270037	360/12,2	37:1	8/116	W	0663684
				F	0662620
				H	0660709
333057	360/12,2	57:1	7/101	W	0660596
				F	0663682
				H	0663470
270024	550/18,6	24:1	8 /116	W	0663471
				F	0662621
				H	0660710
333037	550/18,6	37:1	8 /116	W	0660597
				F	0663683
				H	0663687
				W	0663685



RS = rust and acid resistant F = chassis W = wall bracket H = elevator
 FB = chassis with feed funnel
 All part numbers include suction line, respective mounting and high pressure filter.

WIWA Herkules GX PFP

Fire and its heat present a great risk to life and property.

Passive fire protection is primarily used to maintain the functionality of buildings, pipelines and containers for a defined period of time, since at temperatures of approx. 550°C the critical core temperature is reached and buildings are at risk of collapse. In the event of a fire, the flame retardant material foams up, thus limiting the temperature development in the respective critical range over time. This saves important time for rescue and evacuation measures.

ADVANTAGES

- Single feed unit for the use for smaller areas and for repairs
- State-of-the-art technology
Made in Germany
- Highly qualified employees, agents and distributors world- wide for local sales and service
- Competent customer service in the local language
- Safe and easy system operation
- Top quality and service at a fair price

AREAS OF APPLICATION

- Fire protection
- Corrosion protection
- Marine industry
- Steel construction
- Industry

Technical Data	
Output per cycle (cm ³)	275
Pressure ratio	75:1
Max. output at 60 double strokes (l/min)	16,5
Max. operating pressure (bar/psi)	450/6526
Order No.	0663691
Order No. Accessory kit PFP ready-for-spraying version 500F/WD	0651003
Order No. Accessory kit PFP ready-for-spraying version 500F/WD ATEX	0659752

For smaller areas and for repairs

Supply of spare parts and accessories readily available

Commissioning and training at customers location or job site



Maintenance unit



Follow-up lid



Control unit

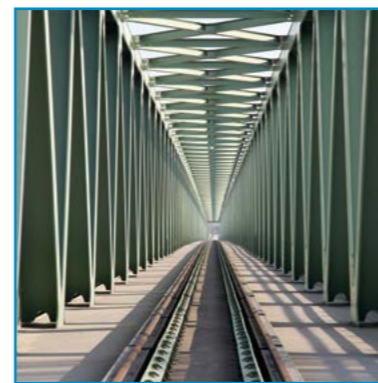


WIWA Herkules HX

THE ALTERNATIVE FOR TOP PERFORMANCE IN CONTINUOUS OPERATION

In addition to our air motors, the hydraulic motors of our well-known POWER PACK series have been upgraded and the result is: the WIWA HERKULES HX.

With large flow rates at high pressure, a long service life and low maintenance costs, this new product is both powerful and economical. Your project is already in full swing? No problem. The pumps in this series can be easily integrated into existing hydraulic systems. WIWA HERKULES HX - the perfect alternative for companies without compressed air supply! By the way: Our well-known and proven DUOMIX 2K coating systems are also available with hydraulic motor.



Up to 60 % energy savings

Precise results due to low pulsation

No icing possible due to hydraulic drive

MATERIALS

- Highly viscous and/or abrasive materials
- Flame retardant materials
- Glass flake
- Insulating and thick film materials
- Antifouling
- Cold bitumen
- Low-solvent and solvent-free paints
- Materials with short fiber fillers
- Two-component and tar-epoxy paints
- Micaceous iron ore
- Zinc primers
- Other sprayable paints and varnishes

AREAS OF APPLICATION

- Large surface areas and thick-build coatings
- Shipbuilding and offshore industry
- Building and corrosion protection
- Paint circulation systems and painting lines
- Steel and hall construction
- Road marking work
- Railcar factories
- Painting and varnishing companies
- Industrial coatings
- Insulations
- Fire protection
- As a feed pump for automatic coating systems and external extraction points

Technical Data						
Model	Output per cycle (cm ³ /fl oz)	Pressure ratio	Max. spray pressure (bar/psi)	Max. oil pressure (bar/psi)	Version	Order No. (RS)
28003	153/5,17	3:1	450/6526,7	150/2175,6	F	0663925
					W	0664303
					H	0664308
34002	189/6,39	2,4:1	360/5221,4	150/2175,6	F	0663926
					W	0664304
					H	0664309
35003	275/9,3	3,4:1	450/6526,7	133/1929	F	0663927
					W	0664305
					H	0664310
48002	360/12,17	2,6:1	390/5656,5	150/2175,6	F	0663928
					W	0664306
					H	0664311
60001	550/18,6	1,7:1	255/3698,5	150/2175,6	F	0663929
					W	0664307
					H	0664312



RS = rust and acid resistant F = chassis W = wall bracket H = elevator
All part numbers include suction line, respective mounting and high pressure filter.

WIWA HYDRO PX E



COMPACT AND EASY TO OPERATE

Just plug it in, turn it on and get the job done – that's how simple a work day looks with the new, electrically driven WIWA HYDRO PX E!

Since a compressed air hose is not required, the WIWA HYDRO PX E series provides a flexible, portable and environmentally friendly pump system. The quality and reliability you have come to expect from WIWA equipment are a given!

If you would prefer to run the pump without an electrical cord, this is possible by switching the electric motor with a gas-powered one (see p. 38/39).

If the models shown to the right do not meet your specification requirements, just let us know! We can customize our systems with a variety of motors and material pumps to meet your needs.

MATERIALS

- Bitumen
- Putty materials
- Fillers
- Primers
- Sealing slurries

AREAS OF APPLICATION

- Building and corrosion protection
- Residential and industrial construction
- Structural and civil engineering
- Everywhere where (energy-) independent work is required



WIWA HYDRO PX E 72



WIWA HYDRO PX E 111



WIWA HYDRO PX E 275

Technical Data	72	111	153	189	275	275 XL
Electric motor power (kW/hp)	2,2	4	5,5	5,5	5,5	5,5
Voltage (V)	230	400	400	400	400	400
Version	F	F	F	F	F	F
Suction	DAS	DAS	DAS	DAS	DAS	DAS
Max. operating pressure (bar/psi)	250/3625	250/3625	422/6120	343/4974	233/3379	478/6923
Theoretical pressure ratio	2,04:1	1,32:1	3,02:1	2,45:1	1,67:1	3,42:1
Max. output per cycle (cm ³)	72	111	153	189	275	275
Order No. (RS)	0671086	0671085	0670468	0670469	0669244	0670470

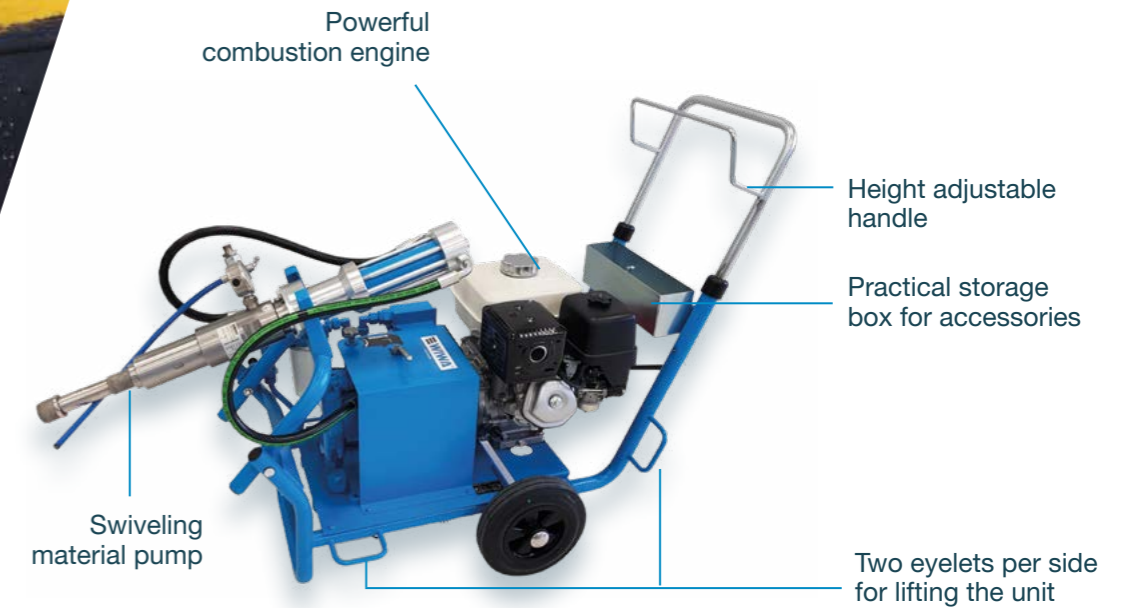
i RS = rust and acid resistant F = chassis DAS = direct suction
 The part numbers for models 72 and 111 are ready-to-spray (incl. spray hose, whip hose, WIWA 250 D airless spray gun, swivel and reversible tip - no high-pressure filter included). For the models 153, 189, 275 and 275 XL, pumps are fitted with high-pressure filter only. Spray accessories available separately.

Compact

Environmentally friendly

Numerous motor/pump combinations possible

**WIWA
HYDRO PX G**



Unlike pneumatically or electrically driven pumps, the gas-powered WIWA HYDRO PX G operates with an independent power source, making it easy to maneuver over any terrain.

The ability to operate without the need for a compressed air hose or electrical cord makes the WIWA HYDRO PX G a spacesaving, highly maneuverable platform for any spray job. The quality and reliability you have come to expect from WIWA equipment are a given!

If you would prefer to run the pump with electric power, this is possible by switching the gas motor with an electric drive (see p. 36/37).

If the models shown to the right do not meet your performance requirements, just let us know! We can customize our systems with a variety of motors and material pumps to meet your needs.

CONTINUOUSLY STRONG. EVEN WITH HIGH-BUILD COATING THICKNESSES!

In order for bitumen to function properly in waterproofing structures, several conditions must be met. Next to professional preparation before and after application, it is critical that a constant flow of material is delivered by the pump - without interruptions. You can rely on this when using our WIWA HYDRO PX E and G series pumps! Adding additional hose lengths when appropriate gives the sprayer even more freedom of movement and allows them to comfortably access even hard-to-reach areas.

Compact

Numerous motor/pump combinations possible

Completely independent from compressed air or electricity

MATERIALS

- Bitumen
- Putty materials
- Fillers
- Primers
- Sealing slurries

AREAS OF APPLICATION

- Building and corrosion protection
- Residential and industrial construction
- Structural and civil engineering
- Everywhere where (energy-)independent work is required

Technical Data	WIWA HYDRO PX G 72	WIWA HYDRO PX G 111
Power combustion engine (HP)	4,8	8,4
Version	F	F
Suction	DAS	DAS
Max. operating pressure (bar/psi)	250/3625	250/3625
Theoretical pressure ratio	2,04:1	1,32:1
Max. output per cycle (cm ³)	72	111
Order No. (RS)	0671288	0671087

i RS = rust and acid resistant F = chassis DAS = direct suction
The part numbers are ready-to-spray (incl. spray hose, whip hose, WIWA 250 D airless spray gun, swivel and reversible tip - no high-pressure filter included).

WIWA ELAN M



You have a project that demands precision, mobility and reliability at the same time? That's where the new, electrically powered WIWA ELAN M comes into play.

The compact high-performance device is optimally suited for smaller construction sites and painting companies, but also for industrial coatings, and comes with unbeatable flexibility and a robust design.

Thanks to the particularly large material passages and valves, even the application of higher viscosity materials is no challenge. The extremely slow-running, hard-chrome plated piston ensures a long service life of the electric motor.

The WIWA ELAN M has an electronic control pressure system that regulates the motor speed and ensures a constant spraying pressure. This allows airless spraying even in low pressure ranges and reduces overspray.

No plastic, low maintenance, standard WIWA high quality.

Electrical performance that inspires!

Simple operation

Durable piston design

Environmentally conscious and energy efficient

AREAS OF APPLICATION

- Roof coatings
- Residential construction
- Fire and building protection
- Steel construction
- Industry and trade
- Shipbuilding
- and many more

MATERIALS

- Primers
- Adhesives
- Dispersions
- Silicate paints
- Filling compounds
- Fire protection materials
- and many more



Classy look



User friendly control



Practical storage box

Technical data WIWA ELAN		
Model	M40	M65
Output per cycle (cm ³)	40	65
Max. output per minute (l/gal)	8/1.7	11/2.4
Max. operating pressure (bar/psi)	230/3335	250/3625
Voltage (V)	230	400
Suction	DAS	DAS
Version	F	F
Weight (kg/lbs)	43/94	50/110
Order No. (RS)	0671628	0671629

i RS = rust and acid resistant F = chassis DAS = direct suction
All models are equipped with a high-pressure filter and a pressure gauge as standard.

WIWA THICK-FILM/MORTAR PUMPS

The WIWA series 410.09 and 600.12 is perfectly suitable for the application of epoxy and water based thick-film materials and mortars, such as cement mortar, cement-bound fire protection materials, cement slurry and filled vinyl esters.

In contrast to screw pumps, WIWA thick-film pumps can be flushed and cleaned with diluting agents. The pump is therefore also first choice when it comes to the transfer of epoxy based materials. Due to the use of quick release

couplings the material pumps, which consist of only a few parts, can be quickly disassembled, cleaned and reassembled, which is highly beneficial with short processing times, which are quite common today. The feed funnel can also be simply removed. With this quick maintenance the downtimes, especially in construction site applications, can be reduced considerably. These large capacity pumps are designed with extra large flow passages, and due to the slow pumping speed only suffer very low wear, even when transferring high amounts of material.



Technical data	Model 410.09	Model 600.12
Output per cycle (cm ³)	410	600
Pressure Ratio	9:1	12:1
Max. output at 60 double strokes (l/min)	24,6	36
Max. air inlet pressure (bar/psi)	8/116	8/116
Max. operating pressure (bar/psi)	72/1044	96/1392
Piston diameter of the air motor (mm)	140	200
Piston stroke of the air motor (mm)	120	120
Min. Recommended Air Compressor Rating (l/min)	3.000	3.000
Order No. Accessory kit	0653594	0653594
Order No.	0653609	0652595

AREAS OF APPLICATION

- Decks on ships and ferries
- Concrete and building sanitation
- Sealing of cellars (basements)
- Fire protection



Spray pipe with air atomization



Pneumatic thick matter agitator
Order No.: 0652214

Low wear due to the use of quick couplings

Suitable for processing epoxy and water-based thickeners and mortars

Fast maintenance can significantly reduce downtimes in construction site operations

WIWA COATING UNITS FOR FOUNDRY BLACK WASH



WIWA PROFESSIONAL CLASSIC

Foundry washes create a sealed surface between the sand and metal necessary to allow the release of the piece from the form after casting. Black wash is applied through spraying in the fluid state using a WIWA Low Pressure Pump DA 10:1.

Either Styrofoam or sand models can be coated. The coating serves to eliminate the rough finish of the form and core to produce smooth casting surfaces. Through the application of the wash using WIWA Airless technology (airless spraying), significantly less overspray is produced as compared to air-assisted systems. WIWA equipment technology for spraying black wash with various solids content.



Low Pressure Pump DA

For styrofoam as well as sand models

For good removability of the casting from the mold material

Significantly less overspray due to application with WIWA airless technology

Technical data	Low Pressure Pump DA	PROFESSIONAL CLASSIC 28023
Output per cycle (cm ³)	72	153
Pressure Ratio	10:1	23:1
Max. air inlet pressure (bar/psi)	8/116	8/116
Max. operating pressure (bar/psi)	80/1160	185/2683
Max. Output at free flow (l/min)	10	28
Order No.	0665329	0656355

WIWA 2K SOLUTIONS

The modular design of our 2K systems offers you a variety of configurations. Tailored to your individual needs. Feel free to contact us – we will find your perfect choice.

2K Modular system	Page 48
WIWA DUOMIX 230 Mini	Page 58
WIWA DUOMIX 270 GX	Page 60
WIWA DUOMIX 333 GX	Page 62
WIWA DUOMIX 333 GX PFP	Page 64
WIWA FLEXIMIX 1	Page 68
WIWA FLEXIMIX 1 ND	Page 68
WIWA FLEXIMIX 2 PHOENIX GX	Page 70
WIWA FLEXIMIX 2 PROFESSIONAL GX	Page 70
WIWA FLEXIMIX 2 HERKULES GX	Page 70
WIWA GLASS FLAKE UNIT	Page 72



Page 58



Page 60



Page 62



Page 68



Page 70

Our 2K Modular System

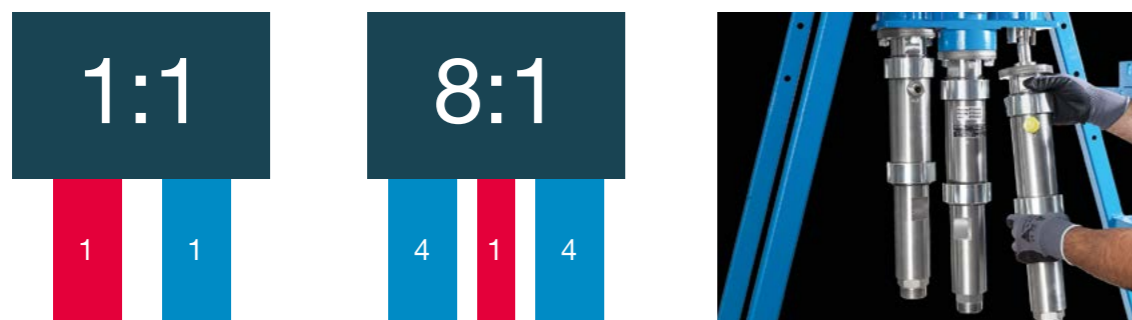
SIMPLE – FLEXIBLE – ASSURED

FLEXIBLE: WIWA DUOMIX – the world’s only 2K system that offers you the flexibility of a variably adjustable 2K system and the assurance of a fixed mixing ratio, and which can be used as a 3K system.

SIMPLE: With just a few actions, you set the DUOMIX to the desired mixing ratio. Time-consuming ratio checking and adjustment are superfluous, and accidental adjustment is impossible.

ASSURED: The fixed mixing ratio provides you with process assurance. Accidental adjustment and resultant faulty coatings are impossible.

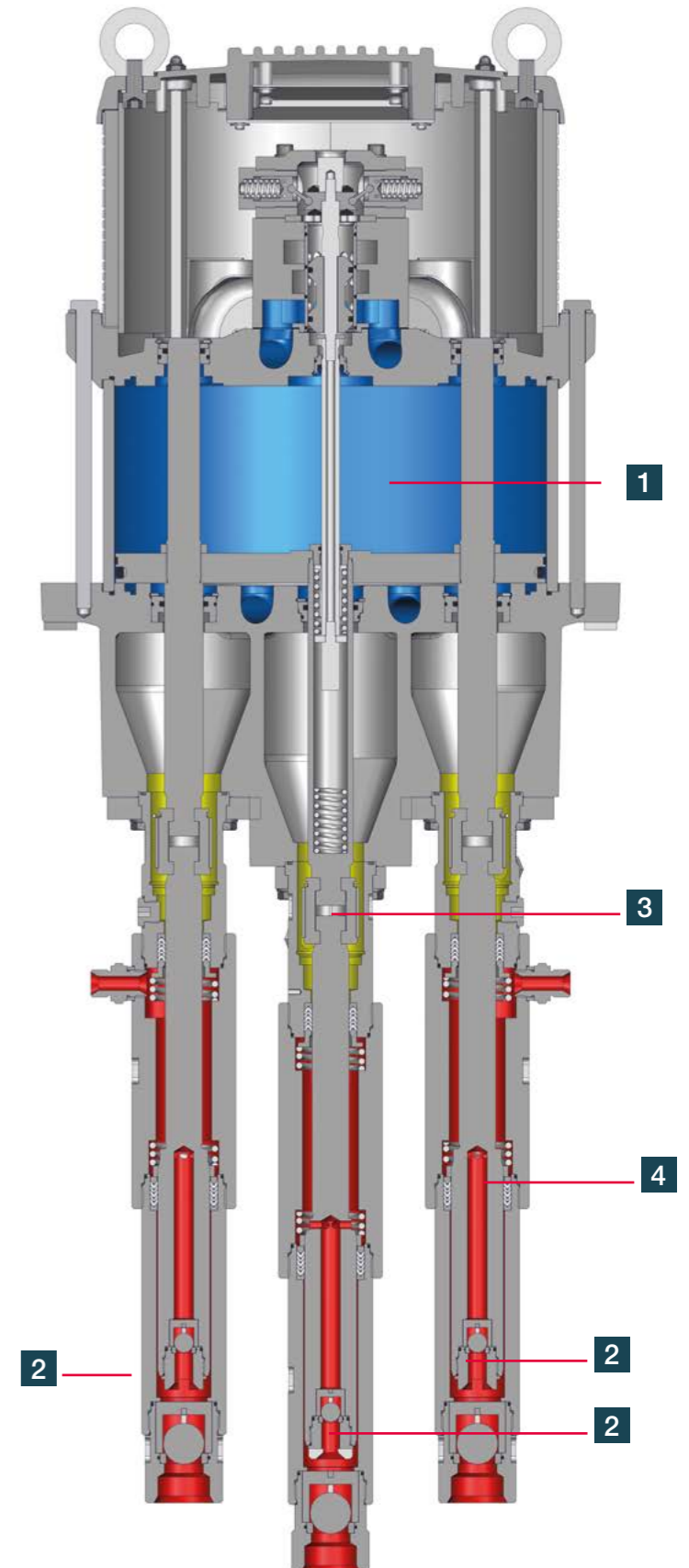
THE SIMPLE PRINCIPLE: INDIVIDUALLY FLEXIBLE



With just a few actions it is possible to modify the system for almost all mixing ratios within a range of 1:1 to 10:1 (also in the decimal range, such as 5.6:1) by exchanging the hardener pump.

THE BASIC MODULES

- 1 **Air motor**
The air motor with de-icing system and maintenance unit in robust metal design. It is equipped with a piston rod and two guide axes, which are guided in the upper and lower section. This guarantees the non-tipping direct drive of all material pumps, whilst the wear of packing and piston rods is also minimised.
- 2 **Material pump combination**
If new fields of activity should require alternative performance parameters, this is only possible by replacing the material pumps.
- 3 **A closed flushing media chamber**
separates the air motor and material pumps. The flushing media prevents paint encrustation on the piston rods and protects the packing due to its lubricating effect.
- 4 **All material pumps are equipped with fixed packing**, which is automatically adjusted with packing tensioners. Manual adjustment of the packing is not necessary.



Modules of perfection - for your individual plant



HEATING SYSTEMS

A range of different heating options are available for low outside temperatures, highly viscose materials and coatings with high temperature processing:

- EX-protected material heaters (3.5 kW) approved up to 450 bar
- Hose heating (electrically / hot-water heated)
- Barrel floor heaters or heating tape
- Water-heated inflow hoppers

FEED PUMPS AND FEED SYSTEMS

When processing highly viscose materials you obtain DUOMIX parts, which ensure an optimally tailored supply:

- Inflow hopper
- Membrane pump
- Piston pump
- Automatic top-up system
- for 200 litre barrels (they guarantee interruption-free operation)

FLUSHING PUMPS

Flushing pumps for cleaning all system parts that come into contact with the mixed material.

MATERIAL PUMPS

The fixed mixing ratio is determined based on the sizes of the material pumps and hardener pump.

However, it can be adjusted by simply changing the pumps. The material pumps are equipped with fixed packing that is automatically adjusted with packing tensioners.

MIXING UNIT

The pneumatic mixing unit with flushing device and static mixer is available with manually actuated valves or remote control.

HIGH PRESSURE FILTER

A rupture disc device, integrated as standard, protects the system against exceeding the maximum permissible working pressure and any damage.

PRESSURE AND PROPORTIONING MONITORING

Using this equipment it is possible to monitor the mixing ratio. In order to avoid defective mixing, the pressures of both components are monitored by contact manometers. If the set tolerance ranges are undercut or exceeded, the system switches off automatically.

The Area of Application defines the Execution

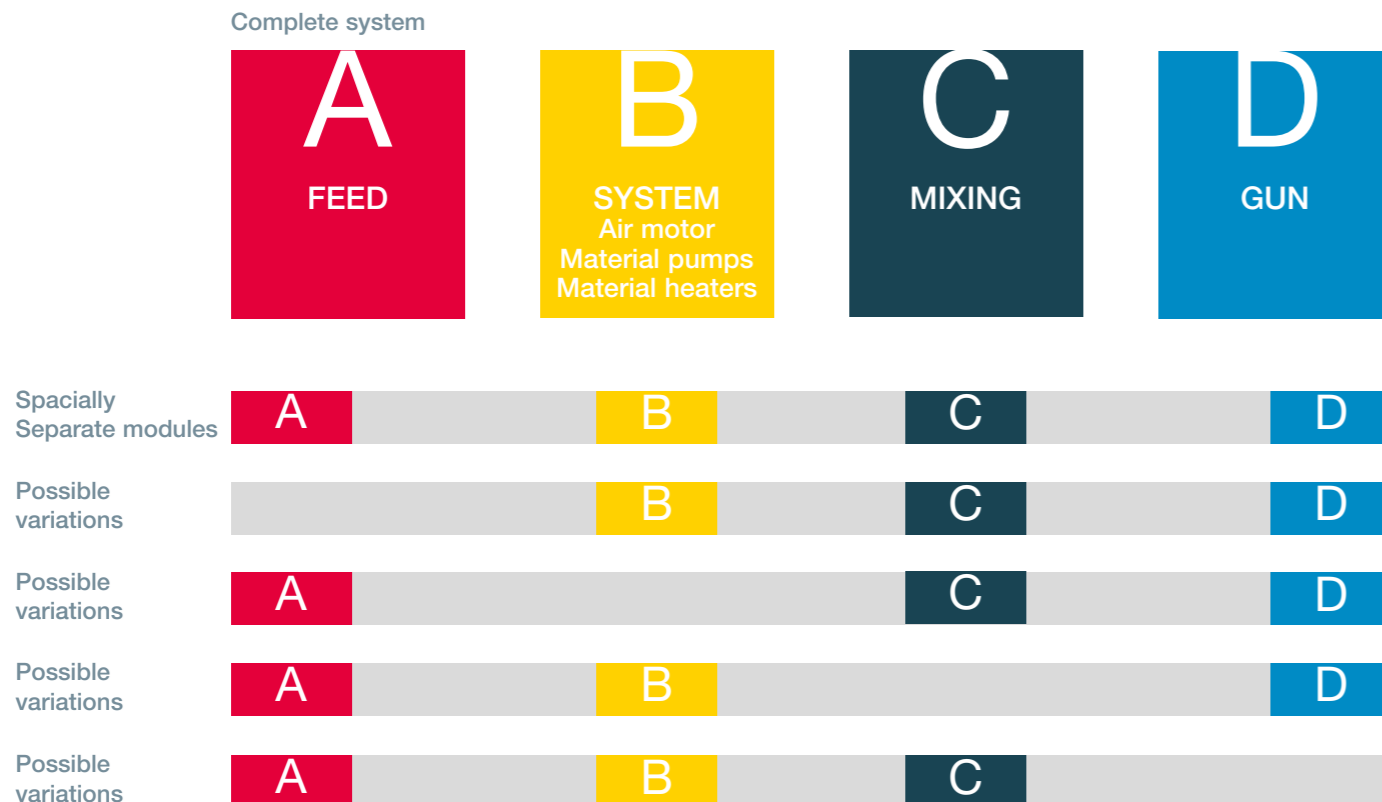
THE OPTIMUM DESIGN AND EQUIPMENT

From delivery container to airless spray gun - the diversity of the modules, in combination with the range of performance variants, is almost limitless.

MODULAR DESIGN

The design of the DUOMIX system is tailored to the application area and the spray material. Depending on the application area, the WIWA DUOMIX system can be designed as a fixed, complete system, or as spatially separated modules.

THE DUOMIX PRINCIPLE: INDIVIDUALLY MODULAR



WIWA DUOMIX

SUITABLE FOR SHORT POT LIVES

In use globally for the processing of highly viscous, solvent-free 2K or 3K materials with particular strengths with extremely short pot lives (under 30 seconds).

FOR HIGH TO LOW VISCOSITY MATERIALS

Large performance range for almost all low to high viscose 2K coatings.

WITH INTERCHANGEABLE MIXING RATIO

With just a few actions it is possible to change the material pumps and therefore also the material ratio.

WITH HIGHER WEAR RESISTANCE

Non-tipping direct drive of all material pumps.

RELIABLE IN ALL TEMPERATURE RANGES

Decentralised use of the heating systems for the perfect coating, even with low ambient temperatures.

FOR 3 COMPONENTS

Due to the special design, it is also possible to use the WIWA DUOMIX system as a 3K processing system.

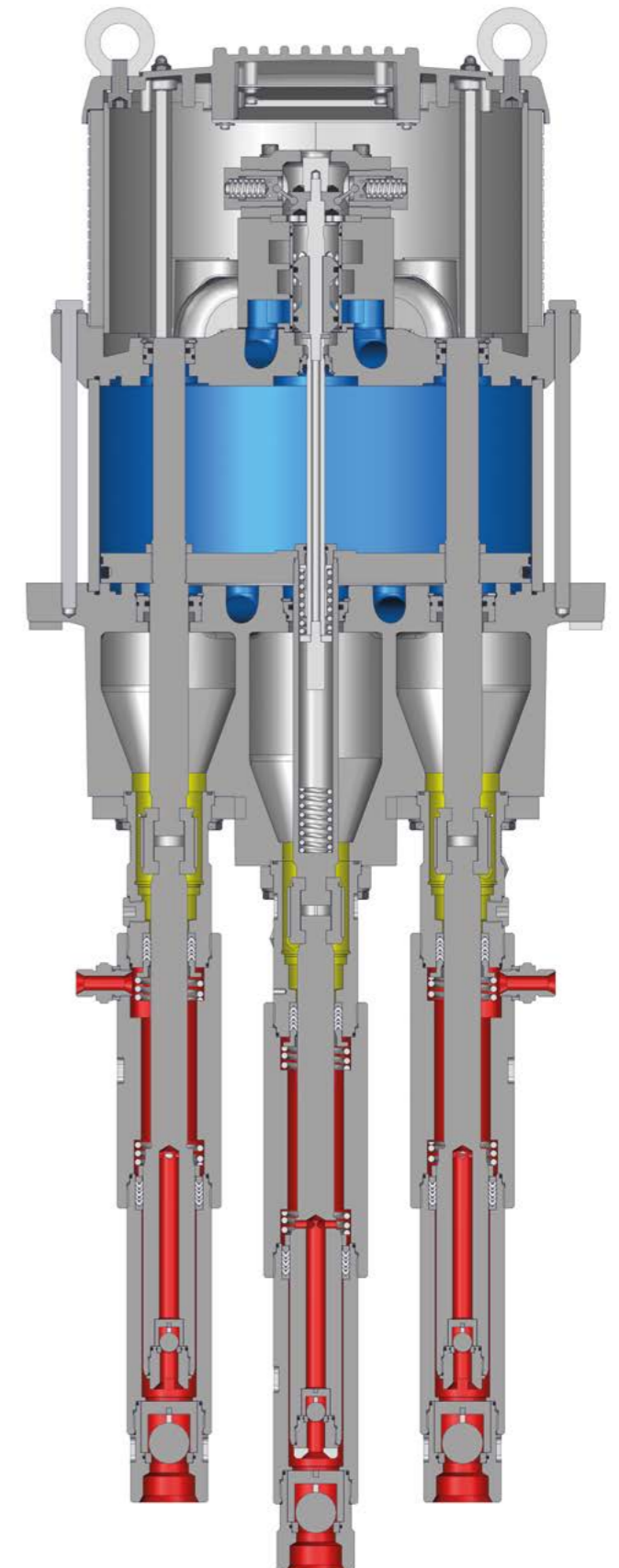
WITH MODULAR DESIGN

Based on almost limitless modular solution diversity, every system is designed according to the special requirements of the customer.

AS A MOBILE SYSTEM

Suitable for transport in all site areas:

- with crane eyes
- with mobile frame
- on forklift pallet



ENVIRONMENTALLY FRIENDLY – This is how WIWA protects the environment

- Reduced material and flushing media consumption due to short sprayhoses between the mixing block and gun
- The system is designed for the use of large containers; this avoids special waste such as paint buckets with material residues
- Low odour nuisance during application and the drying phase

EFFICIENT – Reduced drying, storage and downtime costs

- Due to its mixing ratio, the DUOMIX can process materials with the shortest pot lives and curing times in almost all application areas. This reduces throughput, drying and downtime costs
- Only the required material quantity is mixed – meaning no material loss

EFFICIENT – Working time savings

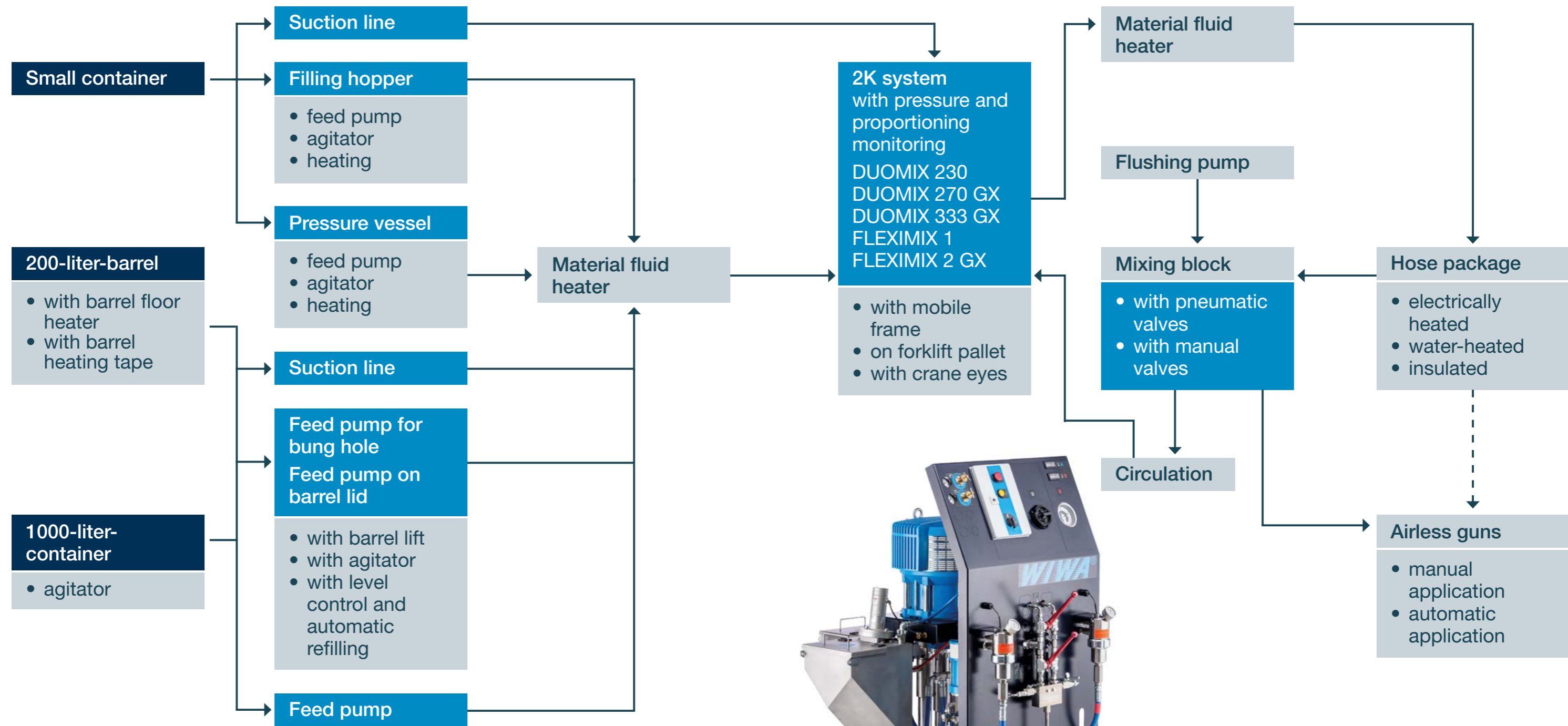
- Rapid start-up
- Rapid shut-down of the system after work, because it is only necessary to flush the spray hose between the mixing block and gun
- Application of high layer thicknesses in a single working process
- Interruption-free work through the use of the automatic WIWA refill system

WIWA DUOMIX – Efficient and environmentally friendly

The worldwide proven WIWA 2K series for large surface coatings.

The DUOMIX shows its particular strength when used for processing highly viscous, solvent-free 2K or 3K materials with extremely short pot times (less than 30 seconds).

Customize your own 2K system!



Delivery container
 System components
 Accessories



Create. Build. Spray.

WIWA DUOMIX 230 MINI

COMPACT AND CLASSY

With the development of the WIWA DUOMIX MINI, we have created the perfect link between our single and plural component product portfolio.

By reducing it to the essentials, we have managed to transfer our powerful DUOMIX technology into the framework of our provensingle component systems. The result: the ideal entry-level unit for all plural component applications. Powerful, user-friendly and compact, this new product combines the strengths of both worlds to your advantage - in the new WIWA DUOMIX MINI.

AREAS OF APPLICATION

- Carpentries
- Painting and varnishing companies
- Machine and vehicle construction
- Steel and hall construction
- Steel processing industry



With direct suction, front view.

Inexpensive

Mobile and compact

HAZLOC certified (no electrical components)

MATERIALS

- Primers
- Sprayable varnishes and paints
- Textured varnish
- Hammer finish paint
- Rust protection and micaceous iron oxide paints
- Low-solvent and solvent-free paints
- Stains
- Waterborne paints
- Clear lacquers
- Plural component materials with long pot lives



With direct suction, back view



With feed tanks, front view



With feed tanks, back view

Technical data WIWA DUOMIX 230 MINI with direct suction

Mixing ratio	Max. output per DS (cm ³ / fl oz)	Pressure ratio	Order No. (RS)	Order No. (N)
1:1	144,4	40:1	0669831	0670061
1:1	96,7	60:1	0670075	0670078
2:1	144,3	40:1	0669832	0670062
2:1	96,3	61:1	0670076	0670079
3:1	128,3	45:1	0669833	0670063
3:1 (2,97:1)	96,5	60:1	0670077	0670080
4:1 (3,96:1)	120,5	48:1	0669834	0670064
5:1 (4,95:1)	115,6	50:1	0669835	0670065
6:1 (5,94:1)	168,7	34:1	0669836	0670066

i An optional kit for converting to air-assisted airless spraying is available separately (Order No.: 0669826). As an alternative to direct suction, you can order 6-liter (1.5 gal.) funnels for the A side (Order no.: 0669827) and the B side (Order no.: 0669828).

WIWA DUOMIX 270 GX

SETTING THE STANDARD IN POWER AND RELIABILITY

The worldwide proven WIWA 2K series for large area coatings offers you the following advantages:

- Simplified operation of the system, allelements at the front
- Mixing unit directly on the rack or externally with heated hose at a distance of up to 100 m as well as connection of several guns are possible
- For extreme mixing conditions combinations of several static mixers are possible
- DATALOG for control of extensive consumption data
- Powerful WIWA Anti-Icing air motor low noise, oil-free and pulsation-free
- Individual material feed for different container sizes
- The mixing ratio can be changed in a matter of minutes by exchanging the material pumps. More than 200 different fixed mixing ratios can be set up this way.
- Optional: Wireless interface to access logged data
- Optional: ATEX version for working in Ex zone areas

Technical data	
Output per cycle (cm ³)	396
Pressure Ratio	20:1 up to 80:1
Max. air inlet pressure (bar/psi)	8/116
Max. operating pressure (bar/psi)	450/6526
Volumetric mixing ratio	1:1 up to 10:1
Order No.	On request

AREAS OF APPLICATION

- Construction
- Building renovation
- Building and civil engineering
- Steel and hall construction
- Steel processing industry
- Heavy industry
- Marine and offshore industry
- Machine and vehicle construction
- Pipes and pipelines
- Energy industry

MATERIALS

- Solvent-based coating materials
- Low-solvent and solvent-free coating materials
- Acrylic
- Polyurethanes
- Antifouling
- Silicone
- Multicomponent coating materials
- Flame retardant materials
- Materials with short fiber fillers
- Sprayable paints and varnishes

More than 200 different mixing ratios possible

Uninterrupted operation even with high material throughput and high pressures

Specially developed for demanding, highviscosity materials and large area application

WIWA DUOMIX 333 GX



FOR HEAVY-DUTY COATINGS

WIWA DUOMIX high-performance coating systems. The reliable system concept for the wide range of 2K and 3K coating materials.

WIWA DUOMIX – probably the only 2K system in the world that offers you the flexibility of a variably adjustable 2K system and the security of a fixed mixing ratio and can also be used as a 3K system. In use worldwide for processing high-viscosity, solvent-free 2K or 3K materials. For materials with extremely short pot times (e.g. 30 seconds), the WIWA DUOMIX shows its particular strength. A glance at the extensive, optionally available range of accessories also opens up a multitude of equipment variants for innovative areas of application for this equipment series.

AREAS OF APPLICATION

- Construction
- Building renovation
- Structural and civil engineering
- Steel and hall construction
- Steel processing industry
- Heavy industry
- Marine and offshore industry
- Machine and vehicle construction
- Pipes and pipelines
- Energy industry

MATERIALS

- Solvent-based coating materials
- Low-solvent and solvent-free coating materials
- Acrylics
- Polyurethanes
- Antifouling
- Silicone
- Multicomponent
- Coating materials
- Flame retardant materials
- Materials with short fibre fillers
- Sprayable lacquers and paints

BASIC EQUIPMENT

- WIWA dosing pump
- Robust frame for accommodating all parts
- Maintenance unit complete with all connections
- Safety equipment (rupture discs) in the high pressure range for both components
- Complete pressure and proportioning monitoring for both components with automatic switch-off upon exceeding the set tolerances
- Flushing pump for cleaning the parts that come into contact with the mixed material
- EX-protected WIWA material fluid heater with a rating of 3.5 kW (can be controlled from 20°– 85°C)

AUXILIARY EQUIPMENT

- Feed pumps or inflow hoppers
- High pressure filter for base material and hardener with material relief or draining (circulation)
- Pneumatic stroke counter for quantity control
- Hose assembly, insulated or heated (electric or water heating)
- Pneumatic mixing block with static mixer and flushing device

Technical data	
Output per cycle (cm ³)	715
Pressure Ratio	up to 85:1
Max. air inlet pressure (bar/psi)	8/116
Max. operating pressure (bar/psi)	450/6526
Volumetric mixing ratio	1:1 up to 10:1
Order No.	On request



WIWA DUOMIX 333 GX is available in over 420 configurations. Feel free to contact us – we will find your perfect choice.

WIWA DUOMIX 333 GX PFP



In close cooperation with major material manufacturers, WIWA has developed plural component spraying equipment for passive fire protection applications.

- Over 300 DUOMIX systems in use successfully worldwide, under the toughest conditions.
- State-of-the-art technology Made in Germany.
- Highly qualified employees, agents and distributors world- wide for local sales and service.
- Commissioning and training at customers location or job site.
- Supply of spare parts and accessories readily available.
- Competent customer service in the local language.

Technical Data	DUOMIX 333 PFP		
Volumetric Mixing ratios	1:1	2:1	2,33:1
Pressure ratio	66:1	58:1	61:1
Max. operating pressure (bar/psi)	429/6222	408/5917	427/6193
Max. Output per cycle (cm ³)	329	329	329
Max. air inlet pressure (bar/psi)	8/116	8/116	8/116
Voltage (V)	400/230	400	440/400/230
Order No.	On request		

Technical Data	DUOMIX 333 PFP Hydraulic		
Mixing ratio	1:1		
Max. Output per cycle (cm ³)	194		
Max. Output (l)	6,6		
Heating capacity material fluid heater (kW)	12		
Heating capacity hose package (W/m)	47		
Max. hose length at 400 V	138		
Power hydraulic unit (kW/PS)	4/5		
Voltage (V)	230 - 400		
Max. Power consumption (kW)	23		
Max. operating pressure (bar/psi)	250/ 3625		
Basic equipment version	230 V, 3-Phasen, 60 Hz	380 V, 3-Phasen, 60 Hz	400 V*, 3-Phasen, 50 Hz
Order No.	0664247	0664258	0664150
Complete equipment version	230 V, 3-Phasen, 60 Hz	380 V, 3-Phasen, 60 Hz	400 V*, 3-Phasen, 50 Hz
Order No.	0664421	0664200	0664210

* For 400 V versions, neutral and protective conductor (5 wires in total) are required.

BASIC EQUIPMENT

- Heated, insulated pressure tanks available in a variety of sizes
- Electrical and/or pneumatic agitators
- Multi-purpose frame, easy to transport
- Pressure and metering monitor providing automatic shutdown
- Material feed with shovel pumps
- Timer for automatic preheating of material
- Mechanical level control of pressure tanks with automatic filling
- Shovel pumps mounted on pneumatic rams
- Mechanical level control for the pressure tanks with automatic refill.

Top quality and service at a fair price

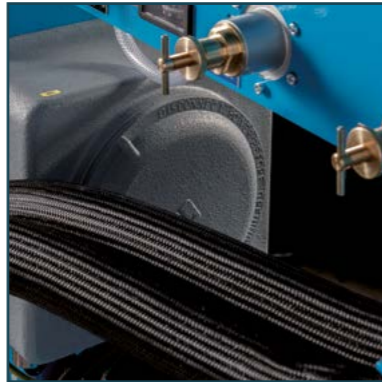
Simple and safe operation of the system in use

Individual plant construction possible due to modular plant concept

WIWA DUOMIX 333 PFP ZONE 1



Pressure encapsulated housing



Control box



Pneumatic agitators

BASIC EQUIPMENT*

- Electrical components protected by pressure encapsulated housing
- Electrical filling level meter protected by pressure encapsulated housing
- Pneumatic agitators
- Pneumatic pressure and metering
- Lifting brackets for easy transport

Technical data	DUOMIX 333 PFP - Zone 1 -		
Volumetric mixing ratio	1:1	2:1	2,33:1
Pressure Ratio	66:1	58,34:1	61:1
Max. operating pressure (bar/psi)	429/6222	408/5917	427/6193
Output per cycle (cm³)	329	329	329
Max. Inlet pressure (bar/psi)	8/116	8/116	8/116
Input voltage (V)	400	400	440/400
Order No.	On request		

* Standard DUOMIX 333 PFP configuration but with modifications for Offshore operation.



Lloyd's Register certified that one of our Duomix 333 PFP units satisfies the requirements for operation in a Zone 1 hazardous area as defined in BS EN 60079-10-1:2009. ATEX Designation CE II2Gc IIB T3.

The approved WIWA DUOMIX 333 PFP -Zone 1- is based on the successful DUOMIX 333 unit, but its electrical components have been reduced to a minimum. The electrical controller and filling level meter for the water tanks are protected by pressure encapsulated housing control boxes. All components comply with the ATEX regulations.

WIWA FLEXIMIX 1



**PRECISE MEASUREMENT
VARIABLE MIXING RATIOS
EFFICIENT COATING**

The WIWA FLEXIMIX I is an electronic mixing and dosing system for the application of solvent and water based paints.

With its flexibility and precision, the WIWA FLEXIMIX I reaches high efficiency and first class surface quality.

This makes the FLEXIMIX I the optimal solution for industry and craft trade. The system enables quick colour changes amongst up to 10 different paints and lacquers. The system can be used in both the low and the high pressure range.

This means that lacquers of extremely different viscosities can be processed at flow rates of a few millilitres up to several litres per minute. With this innovative and future oriented technology, WIWA continues in placing its stakes on practice and solution oriented concepts in the product development for the application technology.

Allows quick change of paints and varnishes

With variably adjustable mixing ratios

For processing solvent- and water-based paints

AREAS OF APPLICATION

- Industrial coatings
- Furniture industry
- Machine and vehicle construction
- Automatic and manual coating systems



From the variety of possible configurations of your WIWA FLEXIMIX 1, we will find the best one for you together. Just get in touch with us!

Technical data	Fleximix 1	Fleximix 1 ND
Volumetric mixing ratio	0,5:1 up to 50:1	0,5:1 up to 50:1
Pressure Ratio	–	–
Max. operating pressure (bar/psi)	up to 400/5801	up to 25/362
Controllable components	up to 10	up to 10
Order No.	On request	On request

WIWA FLEXIMIX 2

THE BENCHMARK FOR POWER AND RELIABILITY

The new electronic 2K FLEXIMIX 2 series has been designed and built to meet the highest performance requirements. With high coverage capability, high coating thicknesses and the simultaneous use of several spray guns or extremely long hose lines, it is suitable for applications with large surfaces and thick film coatings. Due to the high delivery rate, the 2K FLEXIMIX 2 series is also ideal for manual and automatic coating systems.

The extensive WIWA range of accessories ensures an optimum configuration for every application. The multifunctional frame allows easy maintenance and can be outfitted with a variety of add-on equipment such as material flow heaters, feed tanks and flush pumps. For mobile use, the chassis can optionally be provided with wheels. With this unit, you are prepared to face the challenges of current materials and work environments, as well as the increasingly important requirements for occupational health and safety.



Fleximix 2 Herkules GX



Fleximix 2 Phoenix



Fleximix 2 Professional

AREAS OF APPLICATION

- Automatic coating plants and other applications with high performance requirements under extreme conditions
- Heavy corrosion protection
- Sound and fire protection
- Insulating coatings
- Industrial coatings
- Pipe and tank coatings
- Marine and offshore industry

With the help of the integrated WIWA DATALOGGER, you always have control over a wide range of operating data.

Reporting is done directly on the machine, so that documentation of material consumption, e.g. can be downloaded from the machine immediately after the end of work. The unit combines the advantages of simple and clear operation for the painter with integration into the current information technologies.

Technical data	Fleximix 2 PHOENIX	Fleximix 2 PROFESSIONAL	Fleximix 2 HERKULES 270 GX	Fleximix 2 HERKULES 333 GX
Volumetric mixing ratio	0,5:1 up to 17:1	0,5:1 up to 17:1	0,5:1 up to 17:1	0,5:1 up to 17:1
Pressure Ratio	10:1 up to 52:1	32:1 up to 71:1	24:1 up to 88:1	37:1 up to 75:1
Max. operating pressure (bar/psi)	up to 416/6033	up to 460/6671	up to 497/7108	up to 487/7063
Controllable components	up to 4	up to 4	up to 4	up to 4
Order No.	On request	On request	On request	On request



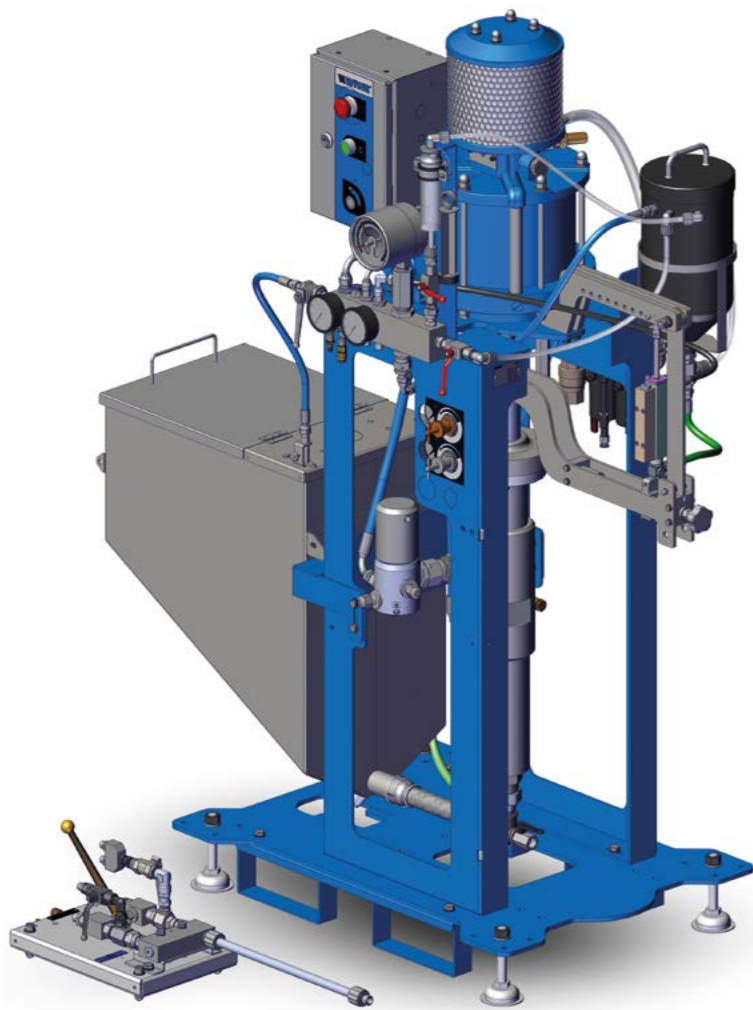
From the variety of possible configurations of your WIWA FLEXIMIX 2, we will find the best one for you together. Just get in touch with us!

Also ideal for manual and automatic coating lines

Enormous area output and high layer thicknesses

Simultaneous use of several spray guns or extremely long hose lines possible

WIWA GLASS FLAKE ANLAGE



Long-term corrosion protection is particularly recommended in areas exposed to extreme mechanical wear and harsh environmental conditions and where future maintenance will be a challenge.

High-performance Glass Flake materials combined with optimum WIWA processing technology are the prerequisites for successful corrosion protection measures.

With the WIWA 2K Glass Flake System, these high-build, extremely abrasion resistant and fast-curing corrosion protection coatings can be applied reliably. Through the gauging unit the correct mixing ratio is checked before spraying. During the spraying process, this is monitored by the pneumatic pressure and metering monitoring.

Due to the 2K processing, wear, flushing effort as well as material consumption could be significantly reduced compared to the 1K processing. Only the spray hose from the mixer must be flushed. There is no need for time-consuming cleaning, as is the case with 1K processing, and this protects the wear parts.

There is also no need to mix the material in advance. Only what is actually consumed is mixed. Your advantage: process reliability and cost optimization.

The hardener is dosed undiluted and can be adjusted continuously from 1-3 %

Technical data	
Catalyzation range	1 % – 3%
Mixing ratio	99:1 – 97:3
Max. operating pressure (bar/psi)	256/3712
Pressure ratio	32:1
Output (cm³)	306
max. ai inlet pressure (bar/psi)	6/87
Order No.	0664038
Order No. Attachment kit forklift lug	0663298
Order No. Attachment kit chassis	0656192
Order No. Attachment kit with agitator	0664191

FEATURES

- Dosing pump WIWA Professional 306.32
- Feed hopper A component 70 l, B component 4.8 l
- Pressure and dosing monitoring
- 20 m hose package
- External mixer

MATERIALS

- Glass Flake filled
- Polyester coating
- Polyester coating (unfilled)
- Polyester filler
- Other materials with 1-3% dosage

AREAS OF APPLICATION

- Offshore & Marine Industry
- Splash Zones
- Jetties and tidal zones
- Refineries
- Bridges
- Mining equipment
- Steel industry
- Wind energy



Compact design

Less wear, flushing effort and material consumption *

* Compared to 1K processing.

Monitoring function before and during spraying

WIWA 2K FOAM/PU SOLUTIONS

The versatile WIWA technology is not only suitable for sealing, but also ideal for foaming. On the following pages you will find heatable WIWA systems for the processing of polyurea, PUR and injection foams.

WIWA SPF 240/280

Page 76

WIWA DUOMIX 540 Polyurea

Page 80

WIWA DUOMIX PU Hydraulik

Page 82



Page 76



Page 80



Page 82

WIWA SPF

SIMPLICITY AT ITS BEST!

Spray foam applications redefined. WIWA DUOMIX SPF sprayers are user-friendly. Direct display of all measuring devices, simple software settings. Connect. Switch on. Spray. Job done.

MATERIALS

- Polyurea
- PUR foams

AREAS OF APPLICATION

- Bridge waterproofing
- Concrete and building restoration
- Insulation of cavities
- Foundations
- Roof insulation and waterproofing
- Pools, natural swimming pools
- Pond linings, fish farms
- Drinking water reservoirs
- Catch basins (also chemical resistant)
- Sewage treatment plants
- Industrial floors and walls
- Hangar floors
- Parking decks
- Sound insulation of track beds
- Rail vehicle construction
- Ship and ferry decks
- Container construction
- Pipes and pipelines
- Wind energy
- Submarines
- Buoys

Technical data	SPF 280
Delivery rate per cycle	144
Pressure ratio	15:1
Mixing ratio	1:1
Max. air inlet pressure	8
Max. operating pressure	128
Material flow heater	6
Max. material temperature	80
Max. heating capacity hose package	3,5
Max. hose length	64
Voltage / phases	230 - 400 V/3 P
Max. power consumption	9.5



Powerful air motor

Individual heating for ISO, POLY and hose

Direct display of all measuring devices, simple software settings



User friendly control



Innovative interface with easy operation

WIWA SPF

Simplicity, perfection, freedom

With exactly the WIWA DUOMIX SPF 280 equipment that best supports your project. Depending on how much pressure your material needs to be processed with or how much output you require, we offer two different types of equipment with the SPF 240 or 280. With both models, you can choose between the mobile frame and the stationary stand frame. For the optimum temperature, the POLY and ISO components can be heated together in the hose package and separately beforehand using material flow heaters.



i F = Chassis GS = Stand frame
 The full equipment additionally includes the WIWA PU GUN 4040 with case, the hose package as well as the feed pumps including connecting hoses and attachment kit for the corresponding holder.

Model	Base (A) - POLY	Hardener (B) - ISO	Pressure ratio	Mixing ratio	Output per cycle	Max. hose length	Max. air inlet pressure	Max. operating pressure	Max. material temperature	Weight	Equipment	Order-No.
SPF 240	43 cm ³	43 cm ³	25:1	1:1	86 cm ³	64 m	8 bar/116 psi	200 bar/2900 psi	80 °C	77 kg	Basic equipment (F)	0671177
SPF 240	43 cm ³	43 cm ³	25:1	1:1	86 cm ³	64 m	8 bar/116 psi	200 bar/2900 psi	80 °C	67 kg	Basic equipment (GS)	0671176
SPF 240	43 cm ³	43 cm ³	25:1	1:1	86 cm ³	64 m	8 bar/116 psi	200 bar/2900 psi	80 °C	118 kg	Full equipment (F)	0671179
SPF 240	43 cm ³	43 cm ³	25:1	1:1	86 cm ³	64 m	8 bar/116 psi	200 bar/2900 psi	80 °C	108 kg	Full equipment (GS)	0671178
SPF 280	72 cm ³	72 cm ³	15:1	1:1	144 cm ³	64 m	8 bar/116 psi	128 bar/1856 psi	80 °C	81 kg	Basic equipment (F)	0668976
SPF 280	72 cm ³	72 cm ³	15:1	1:1	144 cm ³	64 m	8 bar/116 psi	128 bar/1856 psi	80 °C	67 kg	Basic equipment (GS)	0668975
SPF 280	72 cm ³	72 cm ³	15:1	1:1	144 cm ³	64 m	8 bar/116 psi	128 bar/1856 psi	80 °C	122 kg	Full equipment (F)	0668978
SPF 280	72 cm ³	72 cm ³	15:1	1:1	144 cm ³	64 m	8 bar/116 psi	128 bar/1856 psi	80 °C	110 kg	Full equipment (GS)	0668977

WIWA DUOMIX PU 540



The WIWA DUOMIX PU 540 is another member of the DUOMIX PU series. This pneumatic, compact, mobile and versatile unit processes almost all polyurethane foams and fast reacting polyurea.

The clearly structured design of the new WIWA DUOMIX PU 540 allows the user to work quickly and conveniently. The new design of the dosing pumps ensures an even better material flow. The large output of the WIWA DUOMIX PU 540 makes it optimally suited for high application rates.

Feed pumps can be easily transported and stored in the integrated holder. The change from the stand frame to the cart can be realized within minutes by means of a conversion kit. The WIWA DATALOGGER offers an ideal supplement for quality management. All processing parameters, setting values and the alarm history can be read out and saved customer-specifically with commercially available smartphones, tablets or PCs via Wi-Fi.

MATERIALS

- Polyurethane foams
- Polyurea
- Injection foams

PROTECT · SEAL · INSULATE

The mixing ratios can be changed by replacing the material pumps.

OPTIONAL ACCESSORIES

- Hose holder
- Holder for feed pumps
- Conversion kit to cart
- WIWA DATALOGGER
- Feed pump 146.03,7 N-L complete with connecting hose 2,2 m and suction angle
- Membrane pump G 1/2" complete with suction pipe, suction angle and connecting hose 2.2 m

AREAS OF APPLICATION

- Waste water treatment plants
- PU tank coatings and linings
- Pipes and pipelines
- Manholes and sewers
- Floors and parking decks
- Rail vehicles and covering of track beds
- Fuel storage and containment systems
- Desalination plants
- Roof coatings
- Chemical protection (biogas reactors, sewage treatment plants)
- Flat roof waterproofing

Technical data	DUOMIX PU 540
Output per cycle	264 cm ³
Theoretical pressure ratio	31:1
Mixing ratio	1:1 (others on request)
Max. air inlet pressure	8 bar/116 psi
Max. operating pressure	248 bar/3596 psi
Material flow heater	12 kW
Heating capacity hose package	47 W/m
Max. hose length	138 m
Voltage / phases	400 V/3 P
Max. power consumption	16.5 kW
WIWA DUOMIX PU 540	
Description	Order No.
DUOMIX PU 540 (without accessories)	
230 V, 3-Phases, 60 Hz	0665041
400 V, 3-Phases, 50 Hz	0664250
DUOMIX PU 540 incl. 18 m hose package, PU GUN 4040 spray gun	
230 V, 3-Phases, 60 Hz	0665040
400 V, 3-Phases, 50 Hz	0664300

Optimal for high application rate

More than 200 different mixing ratios can be realized within minutes

Processes almost all polyurethane foams and fast reacting polyurea

WIWA DUOMIX PU HYDRAULIK

PROTECT · SEAL · INSULATE

The WIWA DUOMIX PU HX completes our DUOMIX PU series with a hydraulic drive. This compact, mobile and versatile unit processes almost all polyurethane foams and fast reacting polyurea.



The WIWA DUOMIX PU HX is extremely quiet and allows the user to work comfortably without pulsation.

It is equipped with an energy-saving mode as standard. This detects the system status during coating and automatically switches off consumers that are not currently required.

The new design of the dosing pumps ensures even better material flow. The large output of the WIWA DUOMIX PU HX makes it ideal for high application rates.

Feed pumps can be easily transported and stored in the integrated holder. The change from stand frame to chassis can be realized within minutes by a conversion kit.

The WIWA DATALOGGER offers an ideal supplement for quality management. All processing parameters, setting values and the alarm history can be read out and saved customer-specifically with commercially available smartphones, tablets or PCs via Wi-Fi.

MATERIALS

- Polyurethane foams
- Polyurea
- Injection foams

AREAS OF APPLICATION

- Sewage treatment plants
- Pipe and tank coatings
- Pipes and pipelines
- Manholes and sewers
- Parking decks
- Fuel storage and retention systems desalination plants
- Roof coatings
- Ship and ferry decks
- Shipbuilding
- Chemical protection (biogas reactors, sewage treatment plants)
- Machine and vehicle construction
- Water parks and playgrounds

Technical data	DUOMIX PU HX
Delivery rate per cycle	194 cm ³
Max. output	6,6 l/min.
Mixing ratio	1:1
Max. air inlet pressure	8 bar/116 psi
Max. operating pressure	250 bar/3625 psi
Material flow heater	12 kW
Max. heating capacity hose package	47 W/m
Max. Hose length at 400 V	138 m
Heating power hydraulic unit	4 kW/5 Ps
Voltage	230-400 V
Max. power consumption	23 kW
WIWA DUOMIX PU HX	
Description	Order No.
DUOMIX PU HX Pumpe (without accessories)	
230 V, 3-Phases, 60 Hz	0664247
380 V, 3-Phases, 60 Hz	0664258
400 V, 3-Phases, 50 Hz*	0664150
DUOMIX PU HX pump incl. 18 m hose package, PU GUN 4040 spray gun	
230 V, 3-Phases, 60 Hz	0664421
380 V, 3-Phases, 60 Hz	0664200
400 V, 3-Phases, 50 Hz*	0664210

More than 200 different mixing ratios possible

Equipped with an energy saving mode as standard

Processes almost all polyurethane foams and fast reacting polyurea



* For 400 V versions, neutral and ground wires (five wires total) are required. In the standard version, the WIWA DUOMIX PU HX is only suitable for 50 Hz. 60 Hz versions are also available on request.

WIWA ACCESSORIES

Similar to the modular design of our devices we also offer an extensive range of high-quality accessories. You will find a selection on the following pages:

From guns to pipe coating to economical heater – WIWA offers the right, durable equipment for every challenge.

Guns



Page 86

Pipe coating



Page 94

Agitation station



Seite 96

Agitators



Page 98

Material fluid heater



Page 102

Our hand application guns



WIWA GUNS TYP 250

- Suitable for all sprayable media
- Max. pressure: 300 bar/4351 psi
- For fine paint jobs and large surfaces
- Soft two-finger trigger

Model	Description	Order No.
WIWA 250	without swivel 1/4" NPSM with tip connection thread 11/16 UNS	0011258
WIWA 250 D	with swivel 1/4" NPSM with tip connection thread 7/8"	0646997
WIWA 250 D	with swivel 3/8" NPSM with tip connection thread 11/16 UNS	0015032
WIWA 250 D FI	with swivel with tip connection thread 11/16 UNS with M 200 filter in the handle	0632559



WIWA GUNS TYP 500

- For work with protective gloves
- Max. pressure: 500 bar/7251 psi
- Can be used with all known Airless systems
- For large surface-area application
- Soft four-finger trigger

Model	Description	Order No.
WIWA 500	without swivel 1/4" NPSM with tip connection thread 11/16 UNS	0011479
WIWA 500 FI	without swivel 1/4" NPSM with tip connection thread 11/16 UNS with M 200 filter in the handle	0015091
WIWA 500 D	with swivel 1/4" NPSM with tip connection thread 11/16 UNS	0015016
WIWA 500 D	with swivel 1/4" NPSM with tip connection thread 7/8"	0643409
WIWA 500 D	with swivel 3/8" NPSM with tip connection thread 11/16 UNS	0015040
WIWA 500 D-FI	with swivel 1/4" NPSM with tip connection thread 11/16 UNS with filter M 200 in the handle	0015105
WIWA 500 D-FI	with swivel 1/4" NPSM with tip connection thread 7/8" with filter M 200 in the handle	0646452



WIWA GUNS TYP 500 F

- Ideal for hot spraying
- Max. pressure: 500 bar/7251 psi
- Suitable for water-based paints
- Non-corroding material path
- Soft four-finger trigger

Model	Description	Order No.
WIWA 500 F	with front connection 1/4" NPSM with nozzle connection thread 11/16" UNS	0012092
WIWA 500 FD	with front connection and swivel 1/4 NPSM (like 0012092 but with swivel)	0668560
WIWA 500 F	with front connection 1/4" NPSM with nozzle connection thread 7/8"	0643411
WIWA 500 F	Safety bar for WIWA 500 F	0630872



WIWA GUNS FOR PFP MATERIAL

- Extra large material passages
- Max. pressure: 500 bar/7251 psi
- Ideal for highly viscous materials
- With swivel
- Soft four-finger trigger

Model	Description	Order No.
WIWA 500 FD	with front connection 1/2" NPS A and reversing switch/insertion thread 7/8" PFP USA with valve needle D = 3 mm	0647352
WIWA 500 FD	with front connection 1/2" NPS A for fire protection material PFP	0644977
WIWA 500 F	with front connection 1/4" NPS (A) connection for nozzle guard: 7/8" with valve needle D = 5 mm	0669799
WIWA 500 F	with front connection 1/2" NPS A connection for nozzle guard: 7/8" with valve needle D = 5 mm	0658752

Flexible handling

Soft two- or four-finger trigger

Optimal mobility due to ball bearing mounted swivel joint



WIWA AC 1800

From 2022, WIWA in cooperation with SATA complements the paint spray gun range with the new WIWA AC 1800 with an innovative new product in the field of ultra-high pressure application.

The material is applied using the ultra-high pressure process. Compressed air is supplied to the resulting preformed airless spray jet via the air nozzle in order to shape the spray jet and create a uniform droplet distribution. This results in a homogeneous material application for the highest surface quality. With its variable settings and the versatile nozzle system, it is ideally suited for applications where economy and area output at the same time as high surface quality at the same time.

Three versions are available with different nozzle sizes for individual applications. Optionally, the user can also upgrade with a swivel joint for both the material and air connections. This reduces twisting of the connected hoses and makes painting even easier.

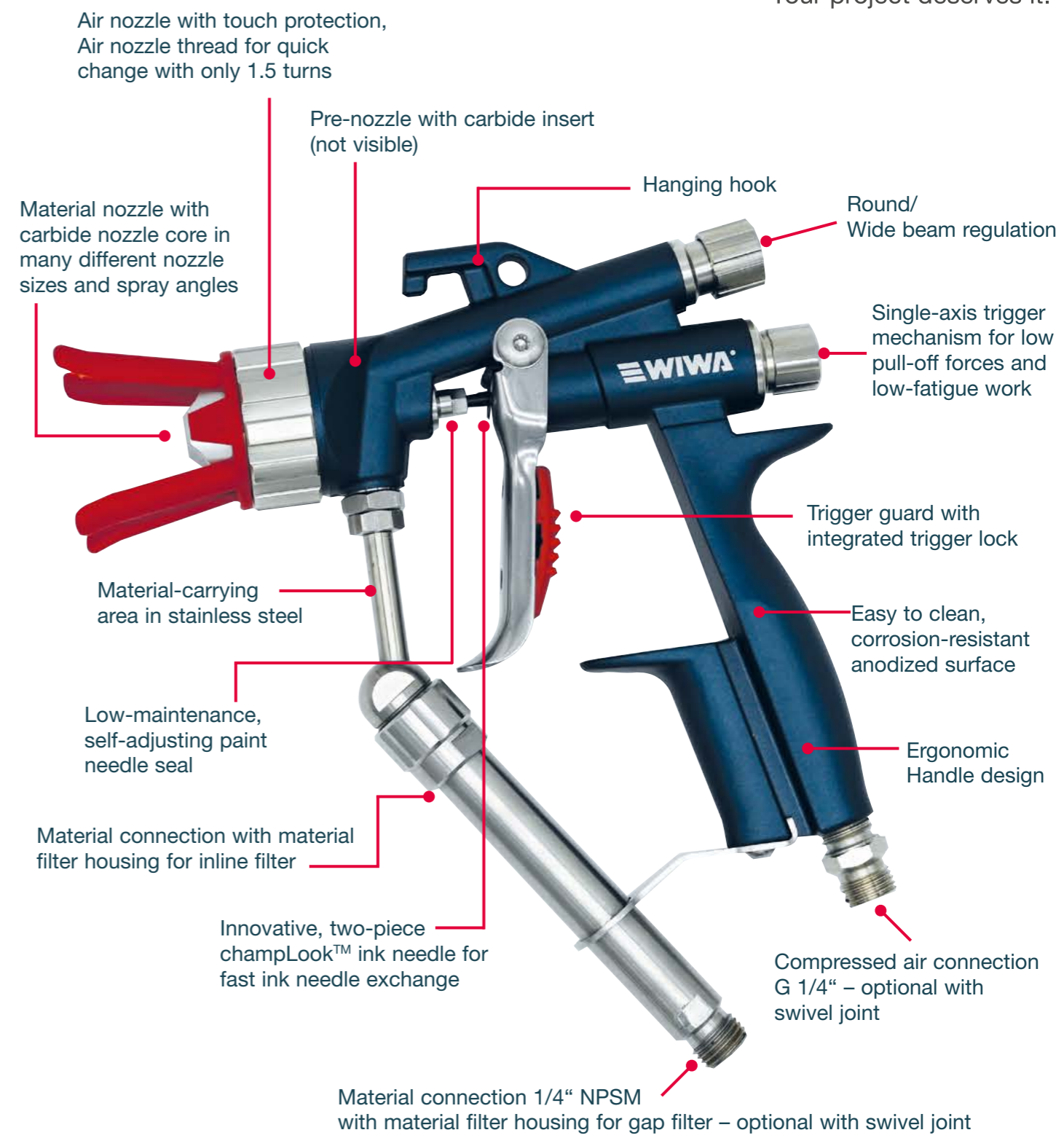
AREAS OF APPLICATIONS

- Wood industry
- Automotive industry
- Mechanical engineering and steel construction
- Ship and container building
- Coating of large surfaces

Light gun weight

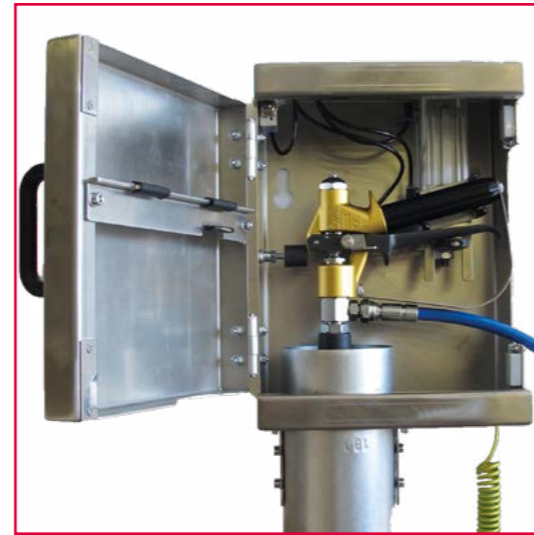
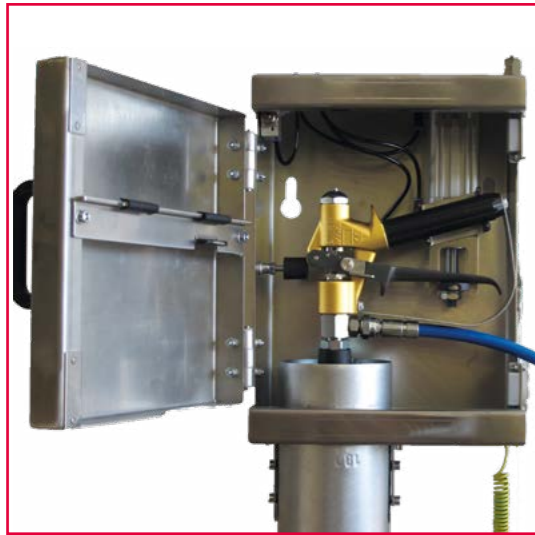
Innovative, two-part color needle system

High coating quality in the pressure range of 50-250 bar/725-3625 psi



Version	Max. air inlet pressure	Order No.	Weight
WIWA AC 1800 Basic without material pipe, filter, nozzle	10 bar/145 psi	0671798	412 g
WIWA AC 1800 Short with material pipe and filter short (100 msh), without material nozzle	10 bar/145 psi	0671832	493 g
WIWA AC 1800 Long with material pipe and filter long (100 msh), without material nozzle	10 bar/145 psi	0671833	523 g

WIWA GUN FLUSH BOX For automatic flushing systems



Automates the flushing process for 2K systems. Allows the use of manual spray guns with plural component spray units which automatically flush the gun when the pot life of the mixed material has expired.

The WIWA Gun Flush Box fits all manual WIWA guns and with available adapters, most competitive models as well. It is suitable for use in hazardous areas (ATEX).

ADVANTAGES

- Reduces solvent use, VOC emissions and waste disposal costs.
- Increases operating reliability, minimizes downtime and reduces maintenance costs.
- Suitable for most plural component materials (water borne/solvent borne/100% solids)
- Safer and healthier work environment for operators.
- Eliminates unnecessary flushing cycles and reduces operator fatigue.
- Increases production by freeing the operator to perform other tasks.

OPERATION

- In combination with the spray unit control box, the amount of time since the last spray operation is monitored to prevent hardening of the material in the gun, hose or mixer.
- Once spraying has stopped and the gun is secured in the flush box, it is purged automatically when the pot life of material expires. The flush process cannot start unexpectedly while the operator is holding the gun.
- The automatic flush sequence assures that only the amount of solvent necessary for consistent cleaning is used, for example during color changes.
- For air-assisted spray guns, an automatic atomizing air shutoff system on the spray unit will prevent the flow of air to the gun during flushing.

Our guns for automatic application



WIWA AIRLESS AUTOMATIC GUNS

- For fully and semi-automatic painting systems
- Fast closing automatic spray gun
- For pneumatic closing device
- nozzle connection thread 11/16" UNS
- suitable for water-based and solvent-based paints

Model	Description	Order No.
WIWA Automatic gun 250	With connection thread NPS 1/4" valve needle 4 mm	0630876
WIWA Automatic gun 300	With connection thread NPS 1/4" valve needle 3 mm	0630479
WIWA Automatic gun 200	With connection thread NPS 1/4" valve needle 3 mm	0667872
WIWA Automatic gun 225	With connection thread NPS 1/4" valve needle 4 mm	0646339
WIWA Automatic gun 400	With connection thread NPS 1/4" valve needle 3 mm	0642193
WIWA Automatic gun 400	With connection thread M16x1,5 valve needle 3 mm	0643134
WIWA Automatic gun 400	With connection thread NPS 1/4" valve needle 3 mm	0663580
WIWA Automatic gun 400	With connection thread NPS 3/8" valve needle 3 mm	0646154
WIWA Automatic valve	Automatic valve 4 mm with return -RS-	0632419

Robust design

Can be used with and without circulation

Possibility of connection for pneumatic closing device

WIWA PU GUN 4040



WIWA PU GUN 4040 Manual gun

With the development of the WIWA PU GUN 4040, we are expanding our wide range of innovative PU application technology with our own spray gun.

The concept of this pneumatically operated gun is based on the counterflow principle. Only immediately before the material exits the nozzle do the POLY and ISO components meet in the mixing chamber at a pressure of up to 250 bar. By simply replacing this mixing chamber, the material discharge of the gun can be adjusted to meet all customer requirements. The WIWA PU GUN 4040 is suitable for use with round and flat spray nozzles.



WIWA PU GUN 4040 Automatic gun

The WIWA PU GUN 4040 stands not only for plenty of technical innovations, but also for optimal working ergonomics. The low dead weight of the gun, the optimized handle design and the variable arrangement of the connections for the material feed hoses allow for fatigue-free use even when coating large areas.

In addition to hand-held use, the spray gun can also be used in an automatic coating system with the aid of an optionally available adapter. To do this, simply replace the handle with an adapter.



SCOPE OF DELIVERY

- PU GUN 4040
- Tool kit
- Grease pump
- Twist drill kit
- Protective cover
- Sturdy case

OPTIONAL ACCESSORIES

- Protective cover
- Adapter for automatic operation
- Flushing arrangement
- Mixing chambers
- Round stream tips
- Flat stream tips
- Various connections

Technical data	Manual gun	Automatic gun
Max. operating pressure (bar/psi)	250/3625	
Max. air inlet pressure (bar/psi)	8/116	
Max. material temperature (°C)	100	
Power range (kg/min)	1,2 - 22	
Dimensions (L x W x H in mm)	160 x 87 x 200	100 x 70 x 292,5
Weight (kg)	1,5	1,25
Order No.	0667480	0667797



In the standard version, the WIWA PU GUN 4040 is equipped with a mixing chamber with round jet nozzle with a maximum output of seven kilograms per minute and a material sieve with 60 mesh.

Easy adjustment of the material discharge

Fatigue-free use due to optimum working ergonomics

Uncomplicated conversion from manual to automatic gun by means of adapter



WIWA PIPE COATING

Pipes with a diameter of 50-800 mm can be coated internally without turning the pipe using a rotary atomizer. The coating is applied while drawing the movable lance backwards out of the pipe. Pipes with a diameter of 50-100 mm require a rotary atomizer with two centering guides for the corresponding pipe diameter. For pipes with a diameter of 100-400 mm (optionally up to 800 mm), we offer a continuously adjustable centering guide.

A complete rotary atomizer unit includes a regulator unit with automatic gun and all fluid and air hoses necessary for mounting it on the pump. Based on this equipment, we also offer a handheld unit for manual internal coating of pipes, bends and elbows up to 3 meters long. The size and form of the rotary atomizer depend on the pipe diameter and the material to be applied.

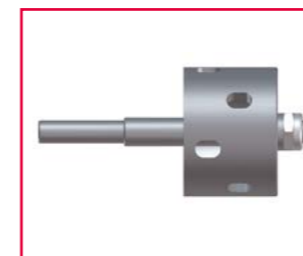
AREAS OF APPLICATION

- Internal pipe coating with automatic guns for manual or automatic spray lances
- Internal coating of in-situ pipes with robotic technology and rotary atomizer
- Rotary atomizer systems for pipes larger than 50 mm diameter
- Coating of elbows and junctions with a rotary atomizer on a hand lance
- Special spray equipment for the coating of joints on cast iron pipe (diameter: 80 – 800 mm)

Automatic guns and centrifugal wheels

For manual and automatic lances

For all common materials for pipe coating



Rotary atomizer wheel
 ø 33 mm
 Order No. 0656957
 ø 45 mm
 Order No. 0656958
 ø 90 mm
 Order No. 0656959



Automatic valve for
 internal pipe coating
 Order No. 0655976



Centering guide
 with rollers
 69-78,5 mm
 Order No. 0657948
 77,5-97 mm
 Order No. 0657949



ø 50 mm Order No. 0658050
 ø 60 mm Order No. 0658051
 ø 65 mm Order No. 0658052



Lance with motor 600 mm long
 Order No. 0656960



Hand lance with gun 1800 mm long
 Order No. 0656948



1. Guide ø 100 - ø 400 mm for lance
 Order No. 0656954
2. Guide ø 400 - ø 800 mm for lance
 Order No. 0656956

Conversion kit ø 400 - ø 800 mm (from Pos. 1 to Pos. 2)
 Order No. 0649924

Guide ø 100 - ø 400 mm for hand lance
 Order No. 0656949

Air and fluid hoses on request



Regulator unit for internal pipe coating
 Order No. 0655044



PU 4040 Automatic Gun for internal pipe coating with
 Polyurea
 Order No. 0659289
 Guide ø 210- ø 400 mm (Larger dia. upon request)



On request, we offer separate solutions for the external and the internal coating of pipes with larger diameters.

WIWA AGITATING STATION



WIWA AGITATING STATION FOR DIVERSE MIXING TASKS

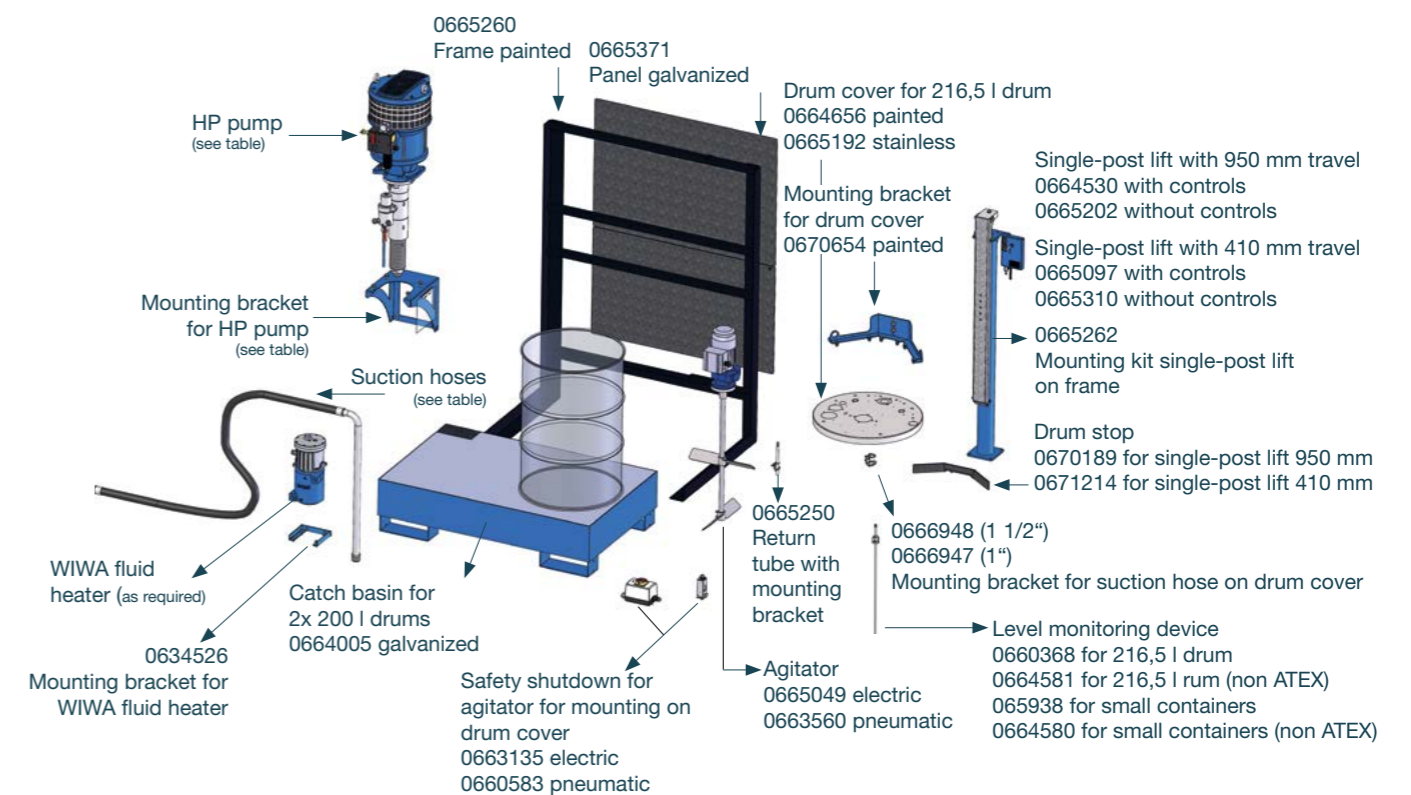
Many products separate during storage, which makes processing of the material no longer possible. The **WIWA agitating station** is designed for mixing and stirring of coating materials or similar materials. The product is converted into a homogeneous mixture which can then be processed as usual.

With a WIWA agitating station, in combination with a suitable WIWA airless unit, an optimal material transport can be achieved. Color, gloss, structure and other product characteristics are retained in the original quality and ensure a top result. ATEX versions are available on request.

ATTACHMENT PARTS FOR HIGH-PRESSURE PUMPS* ON THE AGITATING STATION

Order No.	HP pump R	Pump mounting bracket	Suction pipe holder for drum cover	Suction hose	Suction hose length
0641421	40.52	0665840	0665328	0665842 NW20 w/ sieve	2,2 m
0641425	72.32	0665840	0665328	0665842 NW20 w/ sieve	
0639296	235.32	0665333	0665328	0652417 NW32 w/ sieve	
0639179	138.71	0665333	0665328	0659992 NW25 w/ sieve	
0660363	189.71	0660454	0665328	0659133 NW25 w/ sieve	
0660365	360.37	0660454	0665328	0652417 NW32 w/ sieve	

* Other high-pressure pumps on request.



WIWA AGITATORS



Agitator for 20 l drum
Order No. 0665248



Agitator for 216 l drum
Order No. 0665618



Agitator for 216 l drum
Order No. 0630657



Agitator for 216 l drum
Order No. 0665721

TAILOR-MADE SOLUTIONS FOR ALL MATERIALS TO BE AGITATED

Return-on-investment and reliability of agitators always come first, regardless of size and complexity. From the broad portfolio of our highly efficient mixers, you will always find the optimal mixing system for almost every mixing task.

We are continuously working on expanding our product range. The regular influx of increased performance requirements compels us to further optimize our products. All wetted parts are made of stainless steel.

Pneumatic tank agitators				
	25 l feed tank	50 + 70 l feed tank	95 l container / 30 l drum	
Agitator	Propeller	Propeller	Inclined blade	Inclined blade
Agitator diameter (mm)	150	150	300	300
Speed (rpm)	max. 170	max. 170	max. 170	max. 220
Power (watt)	400	400	400	700
ATEX (inside + outside) zone 1**	-	-	0666352	0666063
ATEX (inside) zone 0* ATEX (outside) zone 1**	0665088	0665089	0665200	0666064

Pneumatic tank agitators						
	216 l drum			1000 l IBC		1000 l container
Agitator	Inclined blade	Inclined blade	Disc	Inclined, blade hinged	Disc	Inclined blade
Agitator diameter (mm)	400	400	260	350/140	500	400
Speed (rpm)	max. 170	max. 220	max. 170	max. 220	max. 220	max. 220
Power (watt)	400	700	400	700	700	700
ATEX (inside + outside) zone 1**	0666354	0666061	-	0666065	-	-
ATEX (inside) zone 0* ATEX (outside) zone 1**	0663560	0666062	0660506	0666066	0663028	0665053

Pneumatic tank agitators					
	20 l drum	20 l + 30 l Small containers	216 l drum	216 l drum bung-hole	
Agitator	Helix spiral	Propeller	Propeller	Corkscrew	Inclined, hinged blade
Agitator diameter (mm)	90	150	150	50	200
Speed (rpm)	500-6000	220	300-3000	300-3000	300-3000
Power (watt)	300	700	700	700	700
ATEX zone 1**					
Order No.	0665248	0668049	0667331	0665618	0665721

Pneumatic hand mixers		
Agitator	Helix spiral	
Agitator diameter (mm)	110	90
Speed (rpm)	300-3000	500-6000
Power (watt)	700	300
ATEX zone 1**		
Order No.	0664911	0664918



ATEX Zone 0 refers to the inner part of the agitator that is limited by the mounting flange.
ATEX Zone 1 describes the area around the motor including the gear box and flange.
*ATEX Zone 0 = II1GclIBT3 **ATEX Zone 1 = II2GclIBT3

WIWA AGITATORS



Agitator for 216 l drum
Order No. 0666355



Agitator for 216 l drum
Order No. 0661873



Agitator for 1000 l IBC
Order No. 0663027

Electric tank agitators 400 V

Agitator	216 l drum				
	Inclined blade			Disc	Propeller
Agitator diameter (mm)	400	400	400	260	350
Speed (rpm)	95	300	50-300	95	95
Power (watt)	370	750	750	370	370
ATEX (inside + outside) zone 1**	-	-	0666550	-	-
ATEX (inside) zone 0* ATEX (outside) zone 1**	0666355	0666358	-	-	0641291
ATEX (innen Zone 0* ATEX (außen) Zone 1**	0665049	0666359	0666551	0666551	0661873

Electric tank agitators 400 V

Agitator	800 l IBC	1000 l IBC		1000 l Container	
	Inclined blade	Inclined blade		Disc foldable	Inclined blade
Agitator diameter (mm)	350/140	350/140	350/140	500	400
Speed (rpm)	170	170	95-300	170	170
Power (watt)	750	750	1500	750	750
ATEX (inside + outside) zone 1**	-	-	0666552	-	-
ATEX (inside) zone 0* ATEX (outside) zone 1**	-	-	-	-	-
ATEX (innen Zone 0* ATEX (außen) Zone 1**	0667065	0666356	0666360	0663027	0665055



ATEX Zone 0 refers to the inner part of the agitator that is limited by the mounting flange.
ATEX Zone 1 describes the area around the motor including the gear box and flange.

*ATEX Zone 0 = II1GcIIBT3

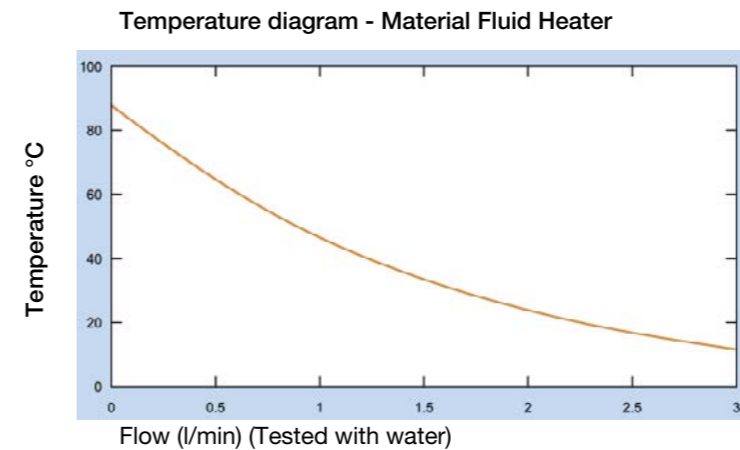
**ATEX Zone 1 = II2GcIIBT3

WIWA MATERIAL FLUID HEATER



The WIWA material fluid heater with ATEX approval is the optimal addition for cold working environments. It ensures a constant temperature of the injection materials and can bring the container to be processed up to temperature by means of optional circulation. If required, heat can be used to the material to a shorter reaction time and thus accelerate the injection process.

Preheating of the material at the construction site is saved.



FEATURES

- Extended application possibilities in outdoor area
- Replacing the heat exchanger is simple and easy
- Operating voltages up to 690 V for ATEX Zone I
- T4 temperature classification
- Includes air passages to heat air for spray guns
- Approved to ATEX Directive 2014/34/EU
- Max. pressure 500 bar / 7250 psi
- Insulation jacket available
- Remote thermostat control optional
- All fluid wetted parts in stainless steel

OPTIMAL PROCESSING OF THE MATERIAL FOR:

- Higher efficiency
- Energy savings
- Reduced use of solvents
- The shortest possible drying times
- Problem-free processing of high viscosity materials
- A smooth uniform layer even on vertical surfaces
- Outstanding surface finish

ACCESSORIES

- Support frame with all necessary attachments
- Return control valve
- Temperature display
- Wall bracket
- Attachment kit air heating (on request)
- External control for 440 V ATEX versions (on request)
- External temperature controller RFA (on request)

Technical Data	Power Rating	Phasen	Ampere (A)	Order No. Standard inside ø		Order No. RFA inside ø	
				9 mm	14 mm	9 mm	14 mm
115	1800	1	16	0663917	0663923	-	-
230	3500	1	16	0663907	0663908	0663918	0663919
230	3800	3	10	0663915	0663916	-	-
230	2000	1	9	0664671	-	-	-
400	3800	3	6	0663909	0663910	0663920	0663921
440**	3500	1	8	0663911	0663912	-	-
440* **	3500	3	5	0663913	0663914	-	-

* Available without ATEX - external control not required.

** With ATEX version - external control required.

For high viscosity / high solids products

Helps save energy, reduces material consumption

Output temperatures up to 120° C possible without ATEX

A selection of the WIWA Areas of Application

The application spectrum of our equipment and systems ranges from painting and bonding in mechanical and vehicle engineering to large-area and thick-film coatings in the marine and offshore industries, in building and corrosion protection, and in passive fire protection.

In close cooperation with international experts, WIWA develops and implements industry-leading special solutions.



CRAFT TRADES, WINDOW & FURNITURE MANUFACTURING

Whether in a carpenter's workshop, a window maker or a piano maker: WIWA paint sprayers are in daily use in a wide variety of trades. Due to their large range and the numerous equipment variants, they are suitable for almost all application methods and materials.

WIWA Solutions: WIWA Effective, WIWA Profit, WIWA Phoenix GX Series, WIWA Fleximix 1



INDUSTRY

Frequent colour and material changes, a wide variety of pressure settings and viscosities are standard industrial paintwork requirements. Systems for decorative or protective coating must operate with the highest reliability in the industry and offer absolute flexibility - just like all WIWA systems.

WIWA Solutions: WIWA Phoenix, WIWA Professional, WIWA Herkules GX, WIWA Feed pumps, WIWA Duomix, WIWA Fleximix 1



MARINE- UND OFFSHORE-INDUSTRIE

WIWA supplies national and international shipyards with robust, powerful coating systems, which are specially designed for use under the most extreme weather conditions. Whether ships, platforms or harbour facilities: maritime constructions are exposed to particularly aggressive environmental influences. For this reason corrosion proof coatings have to meet the highest standards, they have to cover the metal effectively and completely.

WIWA Solutions: WIWA Professional, WIWA Herkules GX/PFP, WIWA Duomix 333/333 PFP, WIWA Fleximix 2



PIPES AND PIPELINES

A key factor in the cost effectiveness of any pipeline coating and lining is both the longevity of such a measure as well as the cost effectiveness of the application method. WIWA systems are ideally suited to use in coating systems which facilitate fully automatic and simultaneous application of coating materials to the inner and outer surfaces of pipes and pipelines.

WIWA Solutions: WIWA Professional GX, WIWA Herkules GX, WIWA Duomix, WIWA Fleximix 2, WIWA Centrifugal wheel



PASSIVE FIRE PROTECTION

When buildings catch fire, every minute counts. As soon as the structural steel in any building has reached the critical core temperature of around 550° degrees Celsius, it is in danger of collapsing. Passive fire protection has therefore become an absolute must. We have enhanced our application equipment for fire-protection materials accordingly in close collaboration with leading materials manufacturers.

WIWA Solutions: WIWA Herkules PFP, WIWA Duomix 333 PFP, WIWA Duomix 333 PFP - Zone 1



Regular maintenance and repair are important for the long-term use of structures. Injection systems make a sustainable contribution to this.

High-performance injection materials, combined with optimum processing technology, are prerequisites for the success of injection projects. Our injection solutions in the single and plural component range are second to none. We are leaders in customizing our system technologies to find the best solution for your application. WIWA is your optimal partner for every project.

For bonding and sealing, as well as conveying highly viscous materials, speed and precision are particularly important.

With the robust and user-friendly systems designed by WIWA, these applications can be achieved easily. Custom solutions are also possible to meet individual customer requirements. Let our expertise benefit you in ensuring the reliability of your process and enable trouble-free, pinpoint application.



EXTRUSION / MATERIAL HANDLING








The WIWA website leaves no questions unanswered

On our website you will find all three WIWA business units Protective Coatings, Injection/Building Protection and Extrusion/Material Handling. So that you do not miss any WIWA news, you can also register there for our WIWA News newsletter.

If you have any questions, you have the possibility to contact a WIWA employee directly via chat.



-  WIWA Wilhelm Wagner GmbH & Co. KG
-  WIWA Wilhelm Wagner GmbH & Co. KG
-  @wiwa_airless_global_hq
-  +49 (0) 6441 609-0
-  sales@wiwa.de

Head Office and Production Germany
WIWA Wilhelm Wagner GmbH & Co. KG
Gewerbestraße 1-3
35633 Lahnau
Telefon: +49 (0) 64 41 / 6 09-0
www.wiwa.de

WIWA Subsidiary USA
WIWA LLC – USA, Canada, Latin America
107 N. Main St., Alger, OH 45812
Phone: +1-419-757-0141
Toll-Free: +1-855-757-0141
www.wiwausa.com

